

TECHNICAL DATASHEET

TOPLA EFB STOP&GO TSG50

ORDER INFORMATION

TAB ID

1030212

Short Code

TSG50

DIN Marking

55011 EFB

EAN Code

3838816054958

Quantity per EU/CNT pallet

72/100 pcs

TECHNOLOGY

Primary Function

Start/Stop Functionality

Battery Technology

EFB - Enhanced Flooded Battery

Grid Type (pos/neg)

Expanded/Concasted

Grid Alloy (pos/neg)

Ca/Ca

Separator

PE

Electrolyte (g/cm³)

1,28

TECHNICAL INFORMATION

Voltage (V)

12

Capacity C20 (Ah)

50

CCA -18°C EN (A)

540

RC (min)

81

LxWxH (mm)

207X175X190

Total Weight (kg)

14.1

BOX DESIGN

Box Type

L1

Cover Type

SMF+

Colour

Black

Layout

0

BHD

B13

Terminal

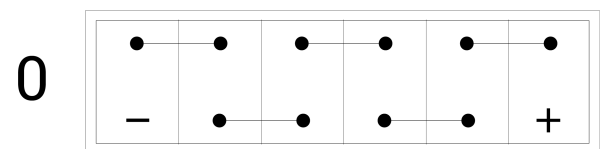
1

DRAWING

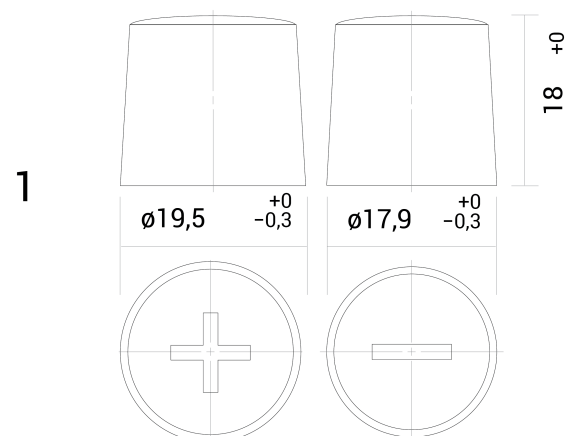
BHD



LAYOUT



TERMINAL



TECHNICAL DATASHEET

TOPLA EFB STOP&GO TSG50

TAB d.d, Polena 6, SI-2392 Mežica, Slovenia, www.tab.si