

# TECHNICAL DATASHEET

## VESNA EFB STOP&GO VSG50

### ORDER INFORMATION

TAB ID

**1030214**

Short Code

**VSG50**

DIN Marking

**55011 EFB**

EAN Code

**3838816054958**

Quantity per EU/CNT pallet

**72/100 pcs**

### TECHNOLOGY

Primary Function

**Start/Stop Functionality**

Battery Technology

**EFB - Enhanced Flooded Battery**

Grid Type (pos/neg)

**Expanded/Concasted**

Grid Alloy (pos/neg)

**Ca/Ca**

Separator

**PE**

Electrolyte (g/cm<sup>3</sup>)

**1,28**

### TECHNICAL INFORMATION

Voltage (V)

**12**

Capacity C20 (Ah)

**50**

CCA -18°C EN (A)

**540**

RC (min)

**81**

LxWxH (mm)

**207x175x190**

Total Weight (kg)

**14.1**

### BOX DESIGN

Box Type

**L1**

Cover Type

**SMF+**

Colour

**Black**

Layout

**0**

BHD

**B13**

Terminal

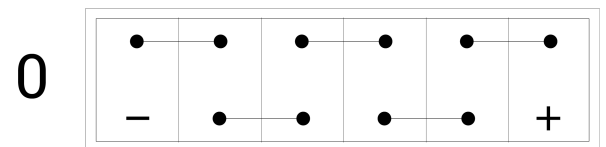
**1**

## DRAWING

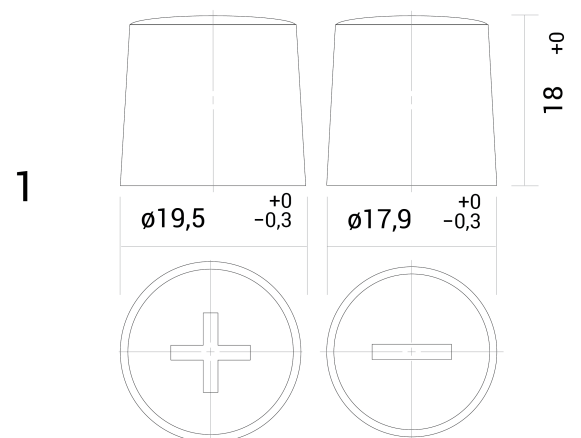
## BHD



## LAYOUT



## TERMINAL



## TECHNICAL DATASHEET

# VESNA EFB STOP&GO VSG50