

TECHNICAL DATASHEET

VESNA EFB STOP&GO VSG10

ORDER INFORMATION

TAB ID

1030218

Short Code

VSG10

DIN Marking

60502 EFB

EAN Code

3838816154962

Quantity per EU/CNT pallet

36/60 pcs

TECHNOLOGY

Primary Function

Start/Stop Functionality

Battery Technology

EFB - Enhanced Flooded Battery

Grid Type (pos/neg)

Expanded/Concasted

Grid Alloy (pos/neg)

Ca/Ca

Separator

PE

Electrolyte (g/cm³)

1,28

TECHNICAL INFORMATION

Voltage (V)

12

Capacity C20 (Ah)

105

CCA -18°C EN (A)

950

RC (min)

195

LxWxH (mm)

394x175x190

Total Weight (kg)

27.1

BOX DESIGN

Box Type

L6

Cover Type

SMF

Colour

Black

Layout

0

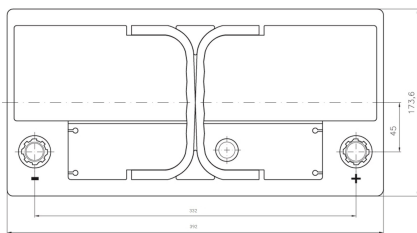
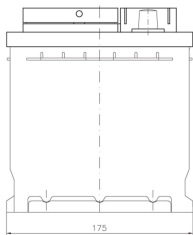
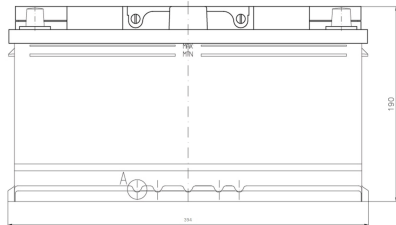
BHD

B13

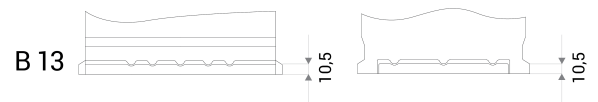
Terminal

1

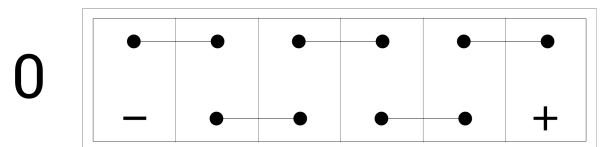
DRAWING



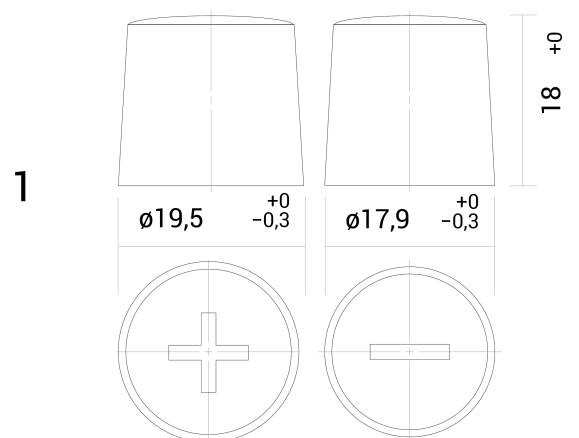
BHD



LAYOUT



TERMINAL



TECHNICAL DATASHEET

VESNA EFB STOP&GO VSG10

TAB d.d, Polena 6, SI-2392 Mežica, Slovenia, www.tab.si