



TECHNICAL DATASHEET

TOPLA ENERGY TS54

ORDER INFORMATION

TAB ID

1000205

Short Code

TS54

DIN Marking

55509

EAN Code

3838807036871

Quantity per EU/CNT pallet

63/108 pcs

TECHNOLOGY

Primary Function

Engine Start

Battery Technology

Flooded

Grid Type (pos/neg)

Expanded/Concasted

Grid Alloy (pos/neg)

Ca/Ca

Separator

PE

Electrolyte (g/cm³)

1,28

TECHNICAL INFORMATION

Voltage (V)

12

Capacity C20 (Ah)

55

CCA -18°C EN (A)

500

RC (min)

90

LxWxH (mm)

242x175x175

Total Weight (kg)

13.3

BOX DESIGN

Box Type

L2B

Cover Type

Kamina

Colour

Red

Layout

0

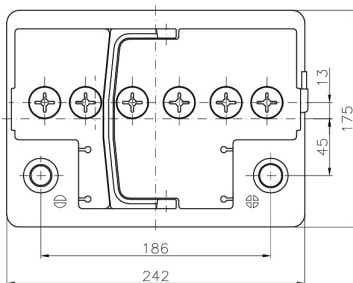
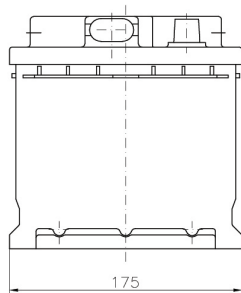
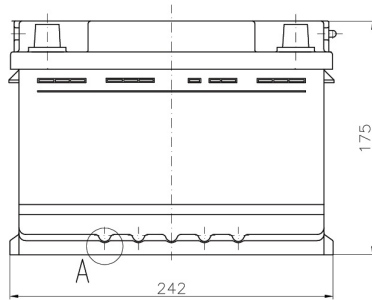
BHD

B13

Terminal

1

DRAWING



BHD



LAYOUT



TERMINAL



TECHNICAL DATASHEET

TOPLA ENERGY TS54