



# TECHNICAL DATASHEET

## TOPLA ENERGY E60X

### ORDER INFORMATION

TAB ID

**1000213**

Short Code

**E60X**

DIN Marking

**56265**

EAN Code

**3838807027442**

Quantity per EU/CNT pallet

**63/90 pcs**

### TECHNOLOGY

Primary Function

**Engine Start**

Battery Technology

**Flooded**

Grid Type (pos/neg)

**Expanded/Concasted**

Grid Alloy (pos/neg)

**Ca/Ca**

Separator

**PE**

Electrolyte (g/cm<sup>3</sup>)

**1,28**

### TECHNICAL INFORMATION

Voltage (V)

**12**

Capacity C20 (Ah)

**60**

CCA -18°C EN (A)

**600**

RC (min)

**100**

LxWxH (mm)

**242x175x190**

Total Weight (kg)

**14.4**

### BOX DESIGN

Box Type

**L2**

Cover Type

**Kamina**

Colour

**Red**

Layout

**1**

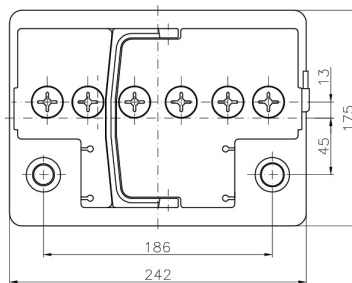
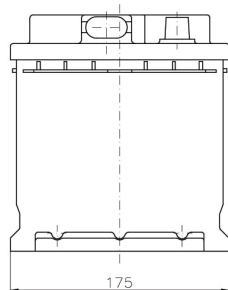
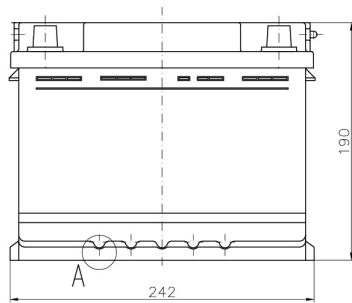
BHD

**B13**

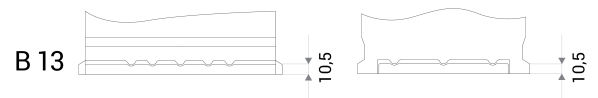
Terminal

**1**

## DRAWING



## BHD



## LAYOUT



## TERMINAL



## TECHNICAL DATASHEET

# TOPLA ENERGY E60X

TAB d.d, Polena 6, SI-2392 Mežica, Slovenia, [www.tab.si](http://www.tab.si)