



TECHNICAL DATASHEET

TOPLA ENERGY E45H

ORDER INFORMATION

TAB ID

1000221

Short Code

E45H

DIN Marking

54506

EAN Code

3838807027350

Quantity per EU/CNT pallet

72/120 pcs

TECHNOLOGY

Primary Function

Engine Start

Battery Technology

Flooded

Grid Type (pos/neg)

Expanded/Concasted

Grid Alloy (pos/neg)

Ca/Ca

Separator

PE

Electrolyte (g/cm³)

1,28

TECHNICAL INFORMATION

Voltage (V)

12

Capacity C20 (Ah)

45

CCA -18°C EN (A)

400

RC (min)

71

LxWxH (mm)

175x175x190

Total Weight (kg)

10.5

BOX DESIGN

Box Type

L0

Cover Type

Kamina

Colour

Black

Layout

0

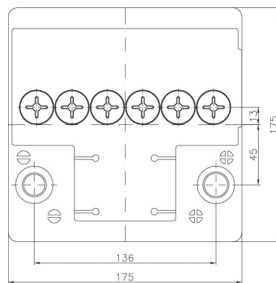
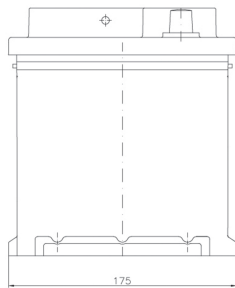
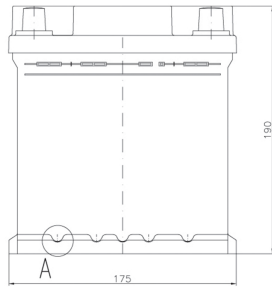
BHD

B13

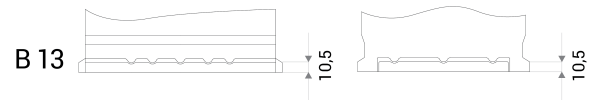
Terminal

1

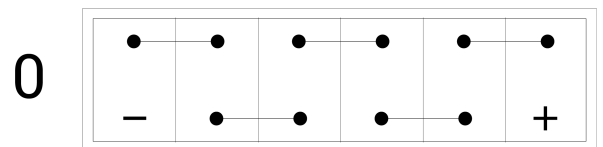
DRAWING



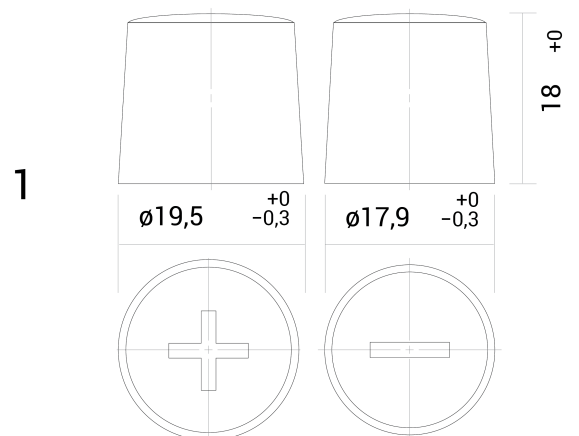
BHD



LAYOUT



TERMINAL



TECHNICAL DATASHEET

TOPLA ENERGY E45H