



TECHNICAL DATASHEET

TOPLA EFB STOP&GO TSG80

ORDER INFORMATION

TAB ID

1000242

Short Code

TSG80

DIN Marking

58088 EFB

EAN Code

3838807036291

Quantity per EU/CNT pallet

42/60 pcs

TECHNOLOGY

Primary Function

Start/Stop Functionality

Battery Technology

EFB - Enhanced Flooded Battery

Grid Type (pos/neg)

Expanded/Concasted

Grid Alloy (pos/neg)

Ca/Ca

Separator

PE

Electrolyte (g/cm³)

1,28

TECHNICAL INFORMATION

Voltage (V)

12

Capacity C20 (Ah)

80

CCA -18°C EN (A)

800

RC (min)

140

LxWxH (mm)

315x175x190

Total Weight (kg)

21.9

BOX DESIGN

Box Type

L4

Cover Type

SMF

Colour

Black

Layout

0

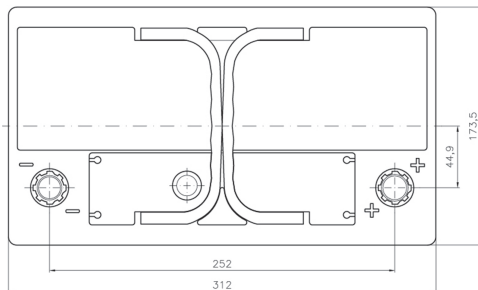
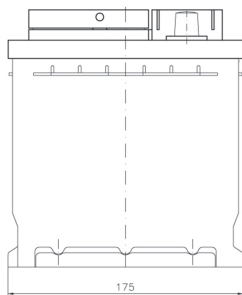
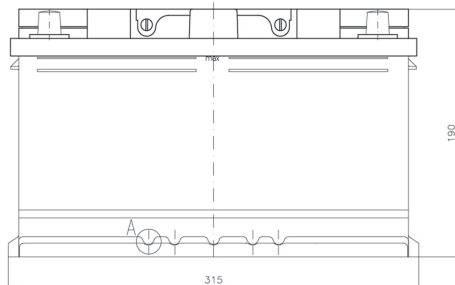
BHD

B13

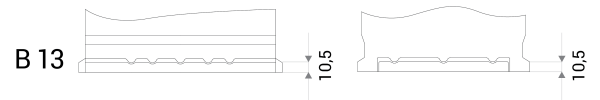
Terminal

1

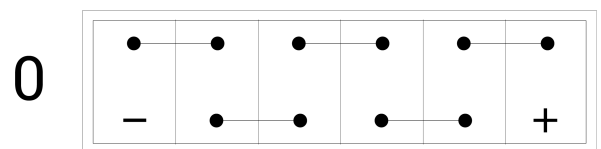
DRAWING



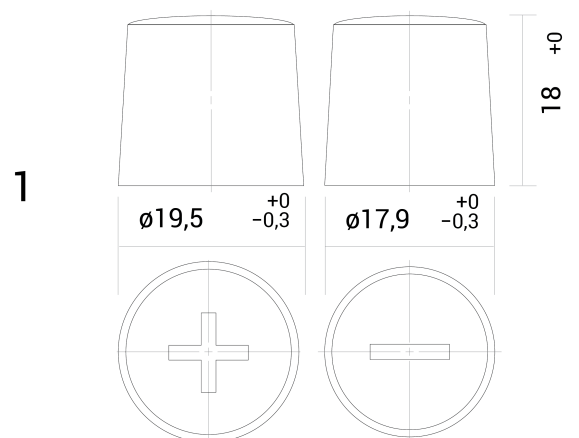
BHD



LAYOUT



TERMINAL



TECHNICAL DATASHEET

TOPLA EFB STOP&GO TSG80

TAB d.d, Polena 6, SI-2392 Mežica, Slovenia, www.tab.si