



TECHNICAL DATASHEET

TOPLA EFB STOP&GO TSG65JX

ORDER INFORMATION

TAB ID

1000245

Short Code

TSG65JX

DIN Marking

56569 EFB

EAN Code

3838807038608

Quantity per EU/CNT pallet

60/90 pcs

TECHNOLOGY

Primary Function

Start/Stop Functionality

Battery Technology

EFB - Enhanced Flooded Battery

Grid Type (pos/neg)

Expanded/Concasted

Grid Alloy (pos/neg)

Ca/Ca

Separator

PE

Electrolyte (g/cm³)

1,28

TECHNICAL INFORMATION

Voltage (V)

12

Capacity C20 (Ah)

65

CCA -18°C EN (A)

600

RC (min)

110

LxWxH (mm)

230x173x200/220

Total Weight (kg)

17.1

BOX DESIGN

Box Type

D23

Cover Type

SMF

Colour

Black

Layout

1

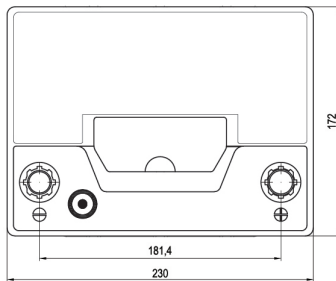
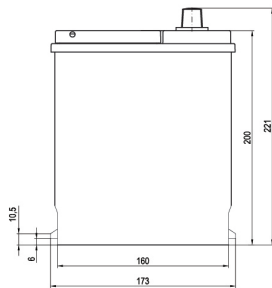
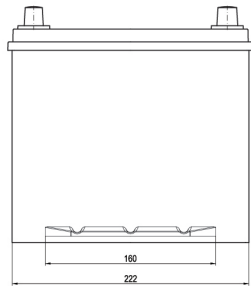
BHD

B01

Terminal

1

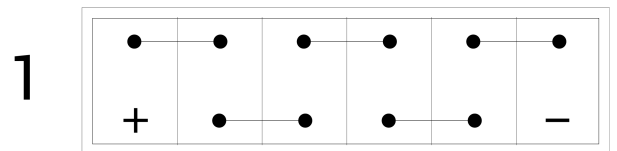
DRAWING



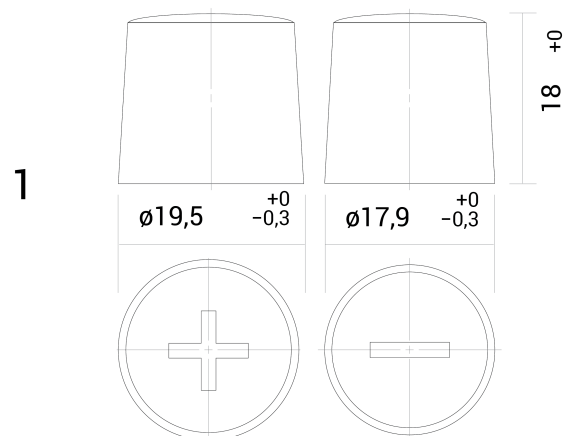
BHD



LAYOUT



TERMINAL



TECHNICAL DATASHEET

TOPLA EFB STOP&GO TSG65JX

TAB d.d, Polena 6, SI-2392 Mežica, Slovenia, www.tab.si