



TECHNICAL DATASHEET

TAB MAGIC TRUCK TM20

ORDER INFORMATION

TAB ID

1000249

Short Code

TM20

DIN Marking

70027 SMF

EAN Code

3838807023710

Quantity per EU/CNT pallet

18/24 pcs

TECHNOLOGY

Primary Function

Engine Start

Battery Technology

Flooded

Grid Type (pos/neg)

Casted/Concasted

Grid Alloy (pos/neg)

Ca/Ca

Separator

PE

Electrolyte (g/cm³)

1,28

TECHNICAL INFORMATION

Voltage (V)

12

Capacity C20 (Ah)

200

CCA -18°C EN (A)

1200

RC (min)

409

LxWxH (mm)

517x275x214/236

Total Weight (kg)

52.7

BOX DESIGN

Box Type

C

Cover Type

SMF

Colour

Black

Layout

3

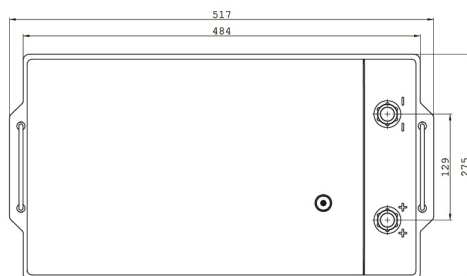
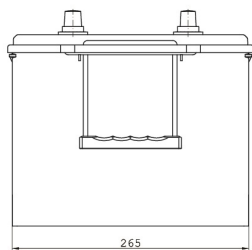
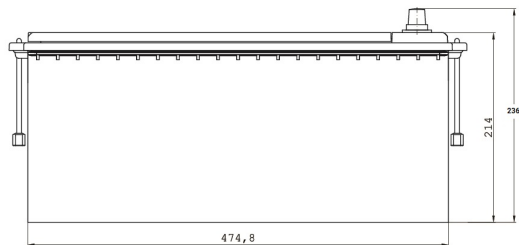
BHD

B0

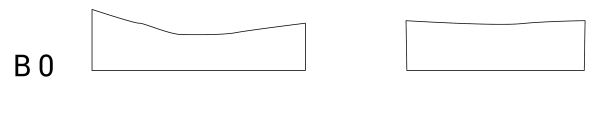
Terminal

1

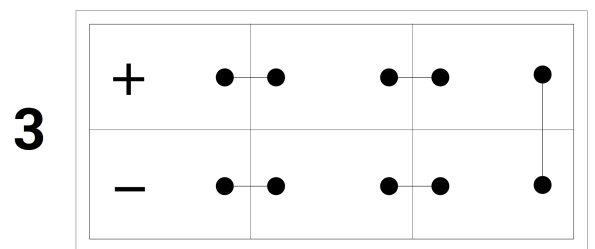
DRAWING



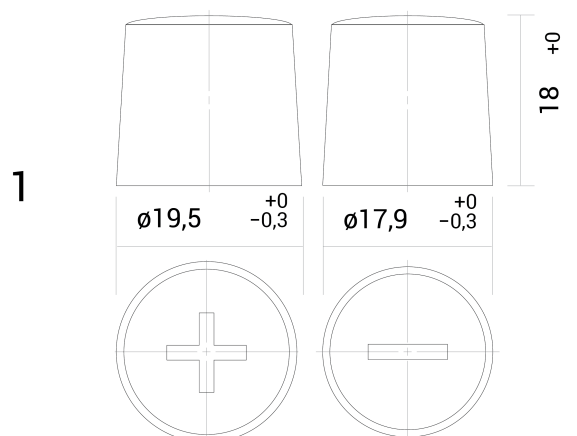
BHD



LAYOUT



TERMINAL



TECHNICAL DATASHEET

TAB MAGIC TRUCK TM20