



## TECHNICAL DATASHEET

### TOPLA TOP TT85

#### ORDER INFORMATION

TAB ID

**1000318**

Short Code

**TT85**

DIN Marking

**58514 SMF**

EAN Code

**3838807027596**

Quantity per EU/CNT pallet

**42/72 pcs**

#### TECHNOLOGY

Primary Function

**Engine Start**

Battery Technology

**Flooded**

Grid Type (pos/neg)

**Expanded/Concasted**

Grid Alloy (pos/neg)

**Ca/Ca**

Separator

**PE**

Electrolyte (g/cm<sup>3</sup>)

**1,28**

#### TECHNICAL INFORMATION

Voltage (V)

**12**

Capacity C20 (Ah)

**85**

CCA -18°C EN (A)

**800**

RC (min)

**150**

LxWxH (mm)

**315x175x175**

Total Weight (kg)

**18.9**

#### BOX DESIGN

Box Type

**L4B**

Cover Type

**SMF**

Colour

**Black**

Layout

**0**

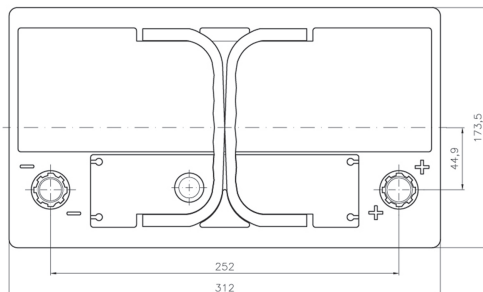
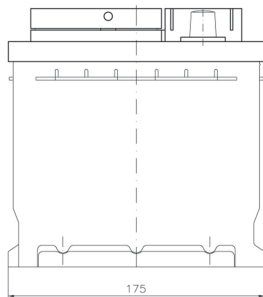
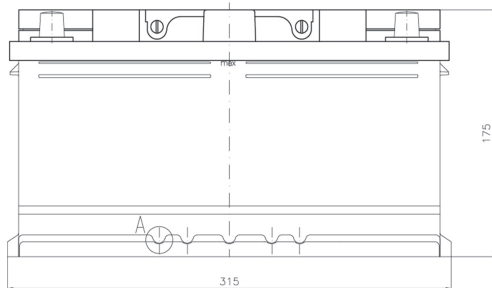
BHD

**B13**

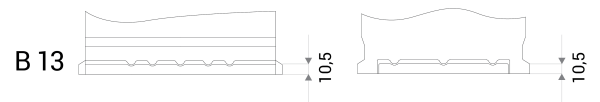
Terminal

**1**

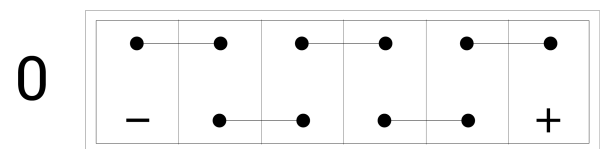
## DRAWING



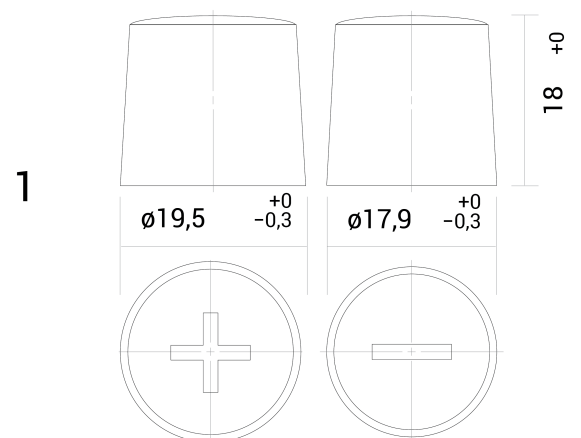
## BHD



## LAYOUT



## TERMINAL



# TECHNICAL DATASHEET

## TOPLA TOP TT85