



TECHNICAL DATASHEET

TAB POLAR BLUE B60HX

ORDER INFORMATION

TAB ID

1000343

Short Code

B60HX

DIN Marking

56013 B

EAN Code

3838807021006

Quantity per EU/CNT pallet

63/90 pcs

TECHNOLOGY

Primary Function

Engine Start

Battery Technology

Flooded

Grid Type (pos/neg)

Expanded/Concasted

Grid Alloy (pos/neg)

Ca/Ca

Separator

PE

Electrolyte (g/cm³)

1,28

TECHNICAL INFORMATION

Voltage (V)

12

Capacity C20 (Ah)

60

CCA -18°C EN (A)

600

RC (min)

100

LxWxH (mm)

242x175x190

Total Weight (kg)

14.4

BOX DESIGN

Box Type

L2

Cover Type

Kamina

Colour

Blue

Layout

1

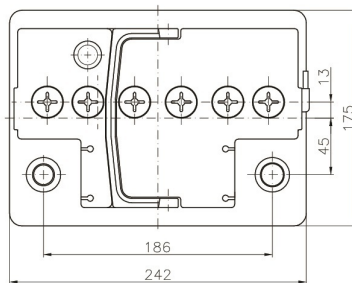
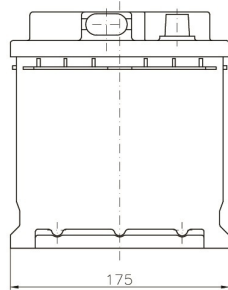
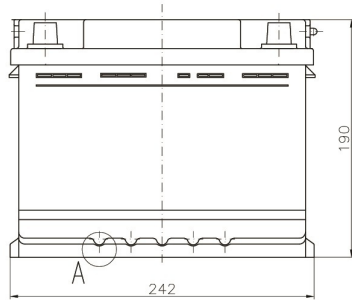
BHD

B13

Terminal

1

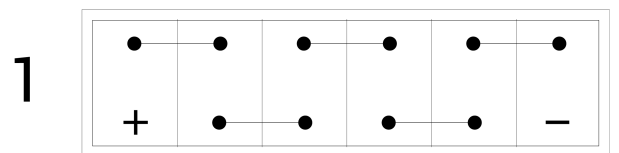
DRAWING



BHD



LAYOUT



TERMINAL



TECHNICAL DATASHEET

TAB POLAR BLUE B60HX