



TECHNICAL DATASHEET

TAB POLAR BLUE B66HX

ORDER INFORMATION

TAB ID
1000345

Short Code
B66HX

DIN Marking
56013 B

EAN Code
3838807036666

Quantity per EU/CNT pallet
63/90 pcs

TECHNOLOGY

Primary Function
Engine Start

Battery Technology
Flooded

Grid Type (pos/neg)
Expanded/Concasted

Grid Alloy (pos/neg)
Ca/Ca

Separator
PE

Electrolyte (g/cm³)
1,28

TECHNICAL INFORMATION

Voltage (V)
12

Capacity C20 (Ah)
66

CCA -18°C EN (A)
620

RC (min)
112

LxWxH (mm)
242x175x190

Total Weight (kg)
14.4

BOX DESIGN

Box Type
L2

Cover Type
Kamina

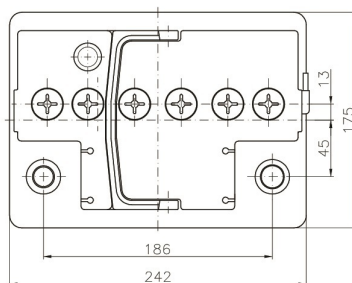
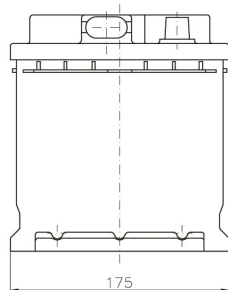
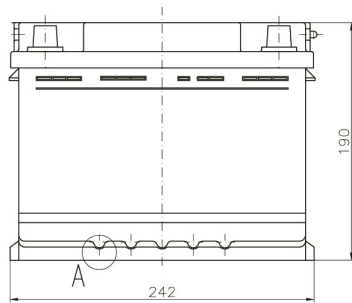
Colour
Blue

Layout
1

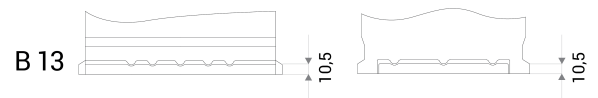
BHD
B13

Terminal
1

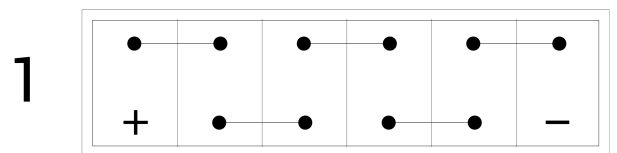
DRAWING



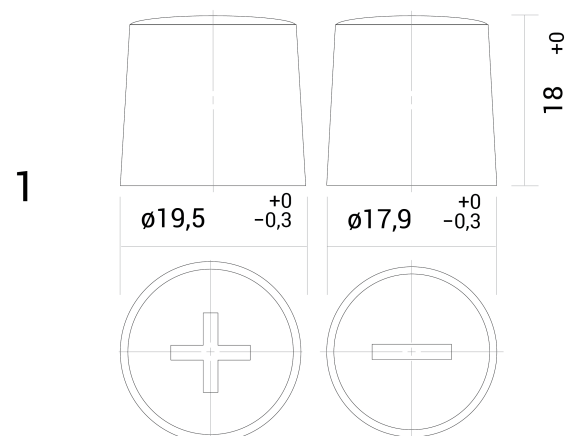
BHD



LAYOUT



TERMINAL



TECHNICAL DATASHEET

TAB POLAR BLUE B66HX

TAB d.d, Polena 6, SI-2392 Mežica, Slovenia, www.tab.si