



# TECHNICAL DATASHEET

## VESNA POWER TRUCK VT17R

### ORDER INFORMATION

TAB ID

**1000517**

Short Code

**VT17R**

DIN Marking

**67019**

EAN Code

**3838807042582**

Quantity per EU/CNT pallet

**21/28 pcs**

### TECHNOLOGY

Primary Function

**Engine Start**

Battery Technology

**Flooded**

Grid Type (pos/neg)

**Casted/Concasted**

Grid Alloy (pos/neg)

**Sb/Ca**

Separator

**PE**

Electrolyte (g/cm<sup>3</sup>)

**1,28**

### TECHNICAL INFORMATION

Voltage (V)

**12**

Capacity C20 (Ah)

**170**

CCA -18°C EN (A)

**1050**

RC (min)

**338**

LxWxH (mm)

**512x222x194/221**

Total Weight (kg)

**42.7**

### BOX DESIGN

Box Type

**B**

Cover Type

**Flat**

Colour

**Black**

Layout

**4**

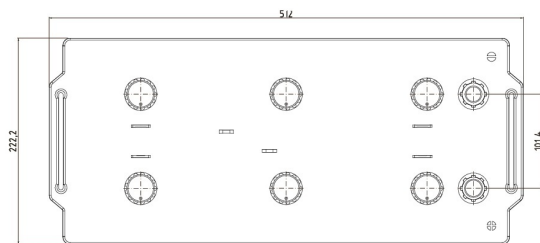
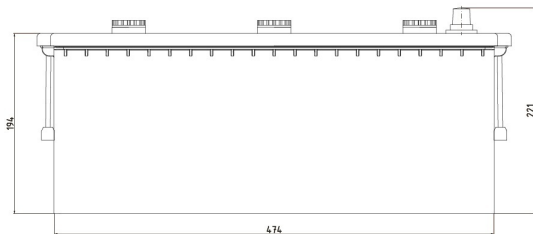
BHD

**B0**

Terminal

**1**

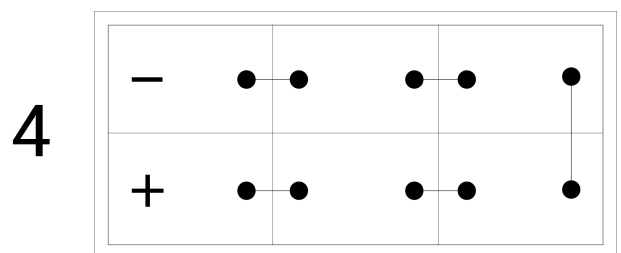
## DRAWING



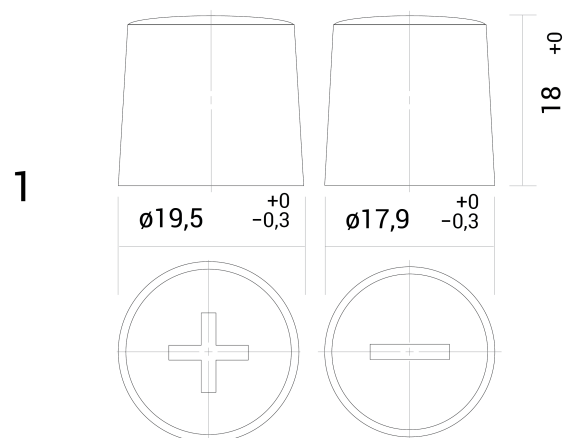
## BHD



## LAYOUT



## TERMINAL



# TECHNICAL DATASHEET

## VESNA POWER TRUCK VT17R

TAB d.d, Polena 6, SI-2392 Mežica, Slovenia, [www.tab.si](http://www.tab.si)