



TECHNICAL DATASHEET

TAB POLAR S73

ORDER INFORMATION

TAB ID
1000872

Short Code
S73

DIN Marking
57309 SMF

EAN Code
3838807027022

Quantity per EU/CNT pallet
51/96 pcs

TECHNOLOGY

Primary Function
Engine Start

Battery Technology
Flooded

Grid Type (pos/neg)
Expanded/Concasted

Grid Alloy (pos/neg)
Ca/Ca

Separator
PE

Electrolyte (g/cm³)
1,28

TECHNICAL INFORMATION

Voltage (V)
12

Capacity C20 (Ah)
73

CCA -18°C EN (A)
630

RC (min)
126

LxWxH (mm)
278x175x175

Total Weight (kg)
15.8

BOX DESIGN

Box Type
L3B

Cover Type
SMF

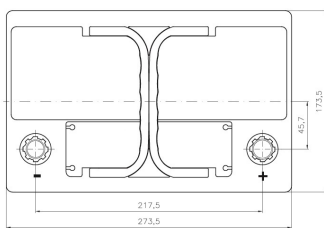
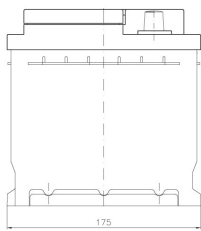
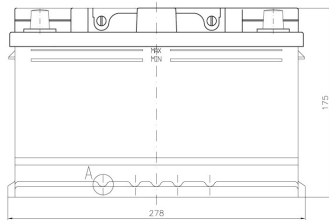
Colour
Black

Layout
0

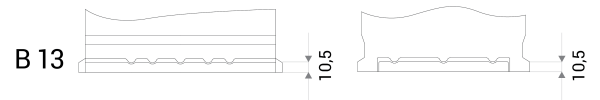
BHD
B13

Terminal
1

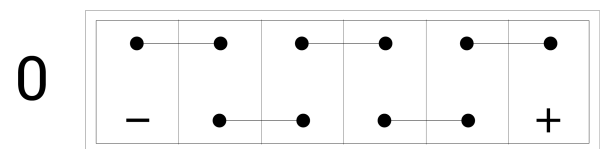
DRAWING



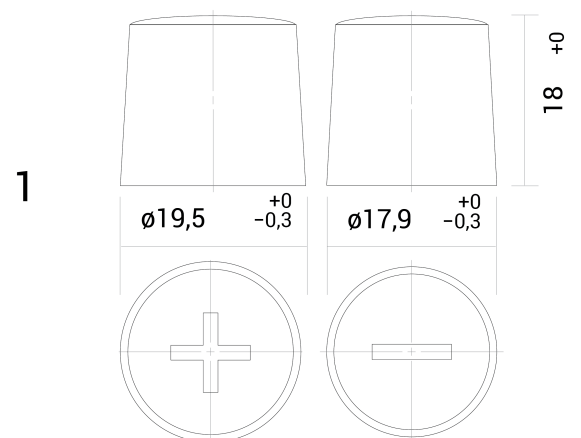
BHD



LAYOUT



TERMINAL



TECHNICAL DATASHEET

TAB POLAR S73