

TECHNICAL DATASHEET

VOLTHOR SUPREME VS110H

ORDER INFORMATION

TAB ID

1001235

Short Code

VS110H

DIN Marking

61002 SMF

EAN Code

3838807037762

Quantity per EU/CNT pallet

36/60 pcs

TECHNOLOGY

Primary Function

Engine Start

Battery Technology

Flooded

Grid Type (pos/neg)

Expanded/Concasted

Grid Alloy (pos/neg)

Ca/Ca

Separator

PE

Electrolyte (g/cm³)

1,28

TECHNICAL INFORMATION

Voltage (V)

12

Capacity C20 (Ah)

110

CCA -18°C EN (A)

1000

RC (min)

203

LxWxH (mm)

394x175x190

Total Weight (kg)

24.7

BOX DESIGN

Box Type

L6

Cover Type

SMF

Colour

Black

Layout

0

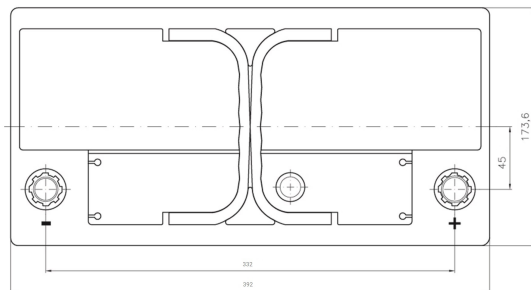
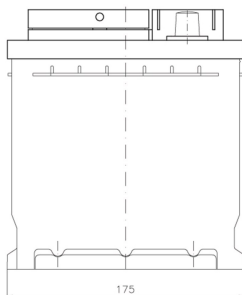
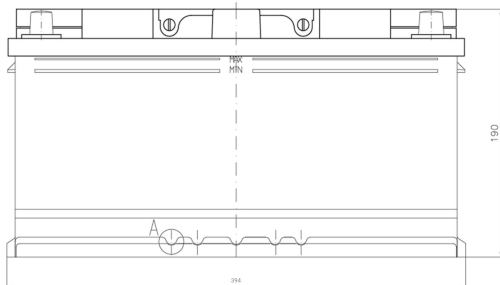
BHD

B13

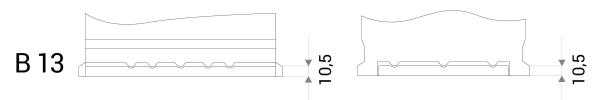
Terminal

1

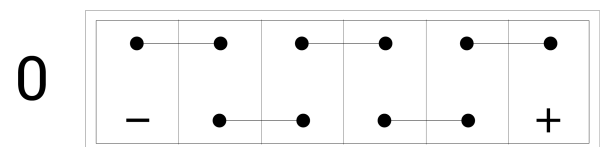
DRAWING



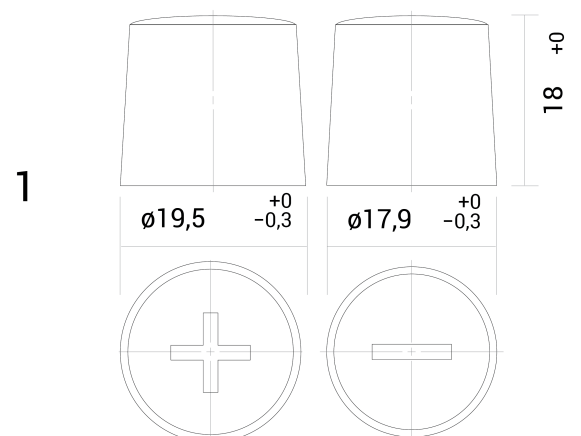
BHD



LAYOUT



TERMINAL



TECHNICAL DATASHEET

VOLTHOR SUPREME VS110H

TAB d.d, Polena 6, SI-2392 Mežica, Slovenia, www.tab.si