



TECHNICAL DATASHEET

VOLTHOR ULTRA TRUCK VUT12

ORDER INFORMATION

TAB ID

Short Code
VUT12

DIN Marking
62047

EAN Code
3838807037892

Quantity per EU/CNT pallet
36/48 pcs

TECHNOLOGY

Primary Function
Engine Start

Battery Technology
Flooded

Grid Type (pos/neg)
Expanded/Concasted

Grid Alloy (pos/neg)
Ca/Ca

Separator
PE

Electrolyte (g/cm³)
1,28

TECHNICAL INFORMATION

Voltage (V)
12

Capacity C20 (Ah)
120

CCA -18°C EN (A)
900

RC (min)
225

LxWxH (mm)
345x172x218/238

Total Weight (kg)
27.8

BOX DESIGN

Box Type
60528

Cover Type
Flat

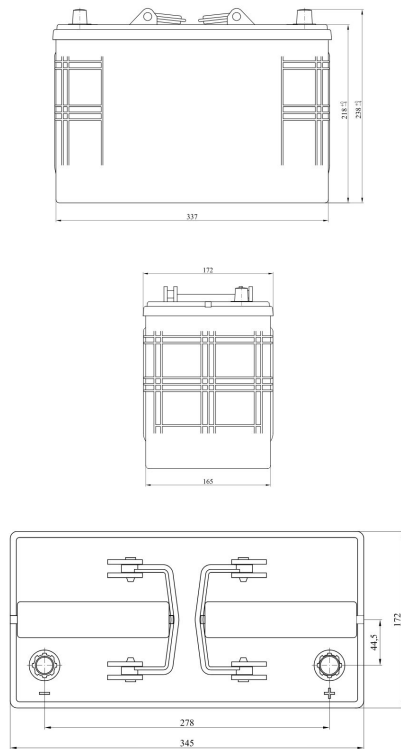
Colour
Black

Layout
0

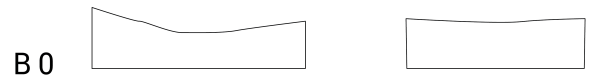
BHD
B0

Terminal
1

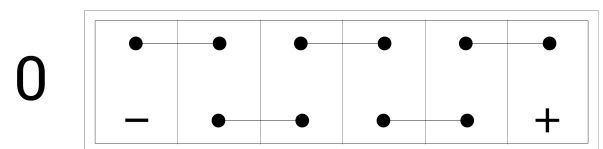
DRAWING



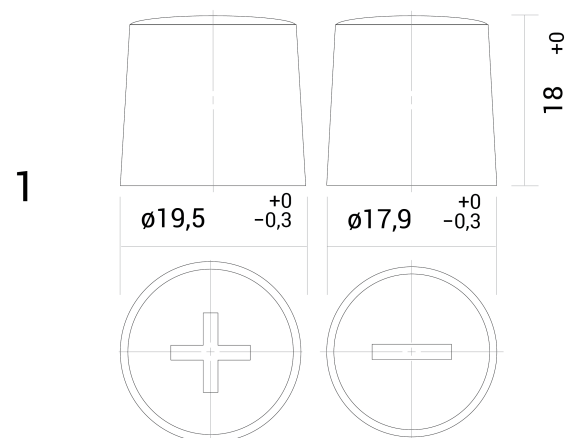
BHD



LAYOUT



TERMINAL



TECHNICAL DATASHEET

VOLTHOR ULTRA TRUCK VUT12