



# TECHNICAL DATASHEET

## VOLTHOR ULTRA VU45JX

### ORDER INFORMATION

TAB ID

**1001253**

Short Code

**VU45JX**

DIN Marking

**54522 SMF**

EAN Code

**3838807037410**

Quantity per EU/CNT pallet

**96/128 pcs**

### TECHNOLOGY

Primary Function

**Engine Start**

Battery Technology

**Flooded**

Grid Type (pos/neg)

**Expanded/Concasted**

Grid Alloy (pos/neg)

**Ca/Ca**

Separator

**PE**

Electrolyte (g/cm<sup>3</sup>)

**1,28**

### TECHNICAL INFORMATION

Voltage (V)

**12**

Capacity C20 (Ah)

**45**

CCA -18°C EN (A)

**360**

RC (min)

**71**

LxWxH (mm)

**196x134x202/223**

Total Weight (kg)

**10.5**

### BOX DESIGN

Box Type

**B19**

Cover Type

**SMF**

Colour

**Black**

Layout

**1**

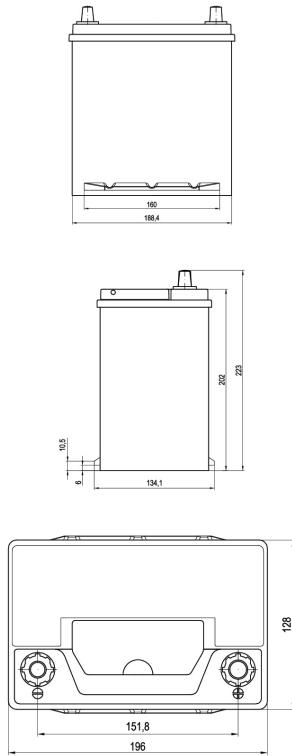
BHD

**B01**

Terminal

**1**

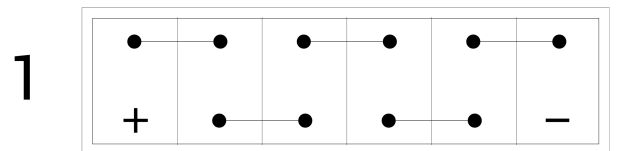
## DRAWING



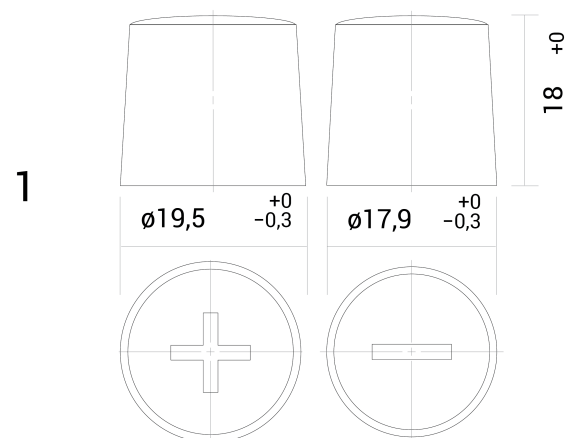
## BHD



## LAYOUT



## TERMINAL



## TECHNICAL DATASHEET

# VOLTHOR ULTRA VU45JX