



TECHNICAL DATASHEET

VOLTHOR ULTRA VU65JX

ORDER INFORMATION

TAB ID

1001258

Short Code

VU65JX

DIN Marking

56569 SMF

EAN Code

3838807037564

Quantity per EU/CNT pallet

60/90 pcs

TECHNOLOGY

Primary Function

Engine Start

Battery Technology

Flooded

Grid Type (pos/neg)

Expanded/Concasted

Grid Alloy (pos/neg)

Ca/Ca

Separator

PE

Electrolyte (g/cm³)

1,28

TECHNICAL INFORMATION

Voltage (V)

12

Capacity C20 (Ah)

65

CCA -18°C EN (A)

600

RC (min)

110

LxWxH (mm)

230x173x200/220

Total Weight (kg)

15.5

BOX DESIGN

Box Type

D23

Cover Type

SMF

Colour

Black

Layout

1

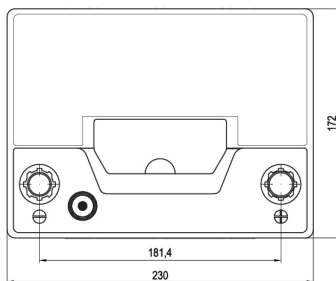
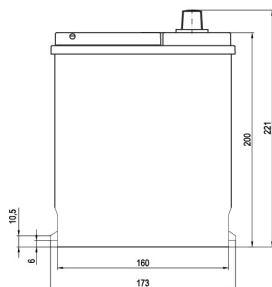
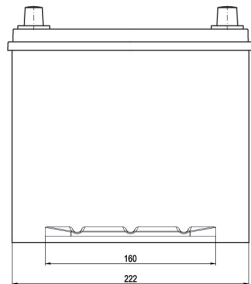
BHD

B01

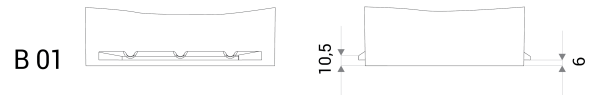
Terminal

1

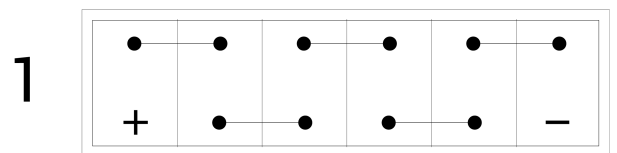
DRAWING



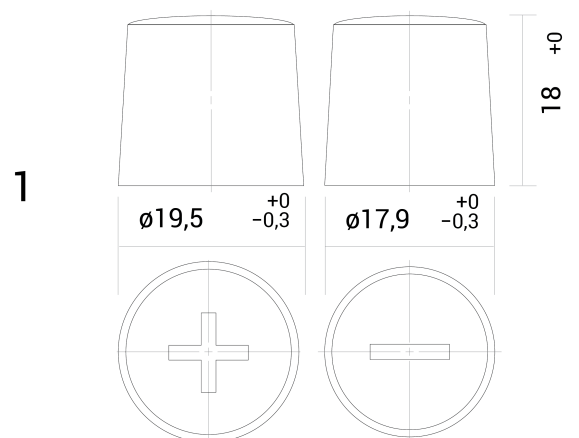
BHD



LAYOUT



TERMINAL



TECHNICAL DATASHEET

VOLTHOR ULTRA VU65JX