



TECHNICAL DATASHEET

VOLTHOR ULTRA VU10H

ORDER INFORMATION

TAB ID

1001275

Short Code

VU10H

DIN Marking

60038 SMF

EAN Code

3838807038493

Quantity per EU/CNT pallet

36/60 pcs

TECHNOLOGY

Primary Function

Engine Start

Battery Technology

Flooded

Grid Type (pos/neg)

Expanded/Concasted

Grid Alloy (pos/neg)

Ca/Ca

Separator

PE

Electrolyte (g/cm³)

1,28

TECHNICAL INFORMATION

Voltage (V)

12

Capacity C20 (Ah)

100

CCA -18°C EN (A)

850

RC (min)

182

LxWxH (mm)

353x175x190

Total Weight (kg)

22.3

BOX DESIGN

Box Type

L5

Cover Type

SMF

Colour

Black

Layout

0

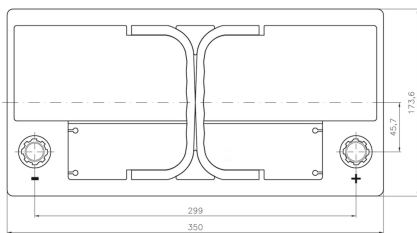
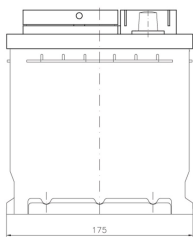
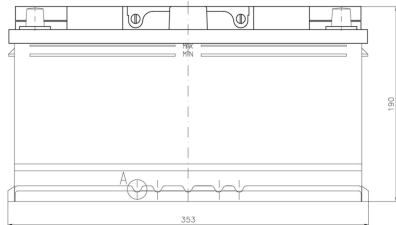
BHD

B13

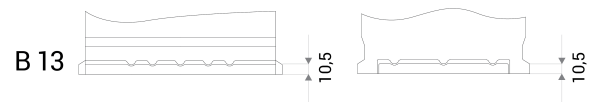
Terminal

1

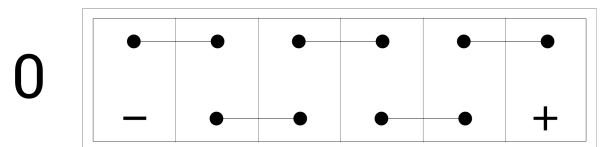
DRAWING



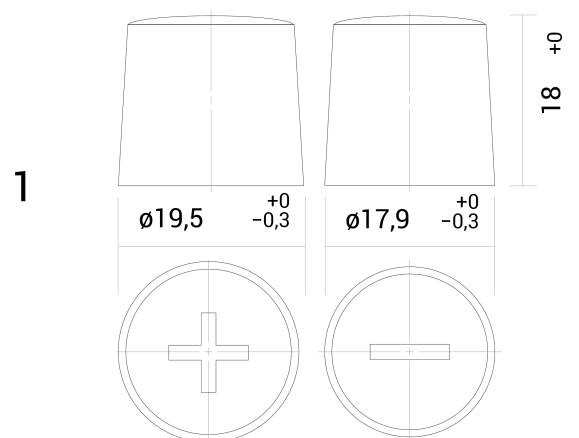
BHD



LAYOUT



TERMINAL



TECHNICAL DATASHEET

VOLTHOR ULTRA VU10H