



TECHNICAL DATASHEET

VESNA EFB STOP&GO VSG10J

ORDER INFORMATION

TAB ID
313005

Short Code
VSG10J

DIN Marking
60518 EFB

EAN Code
3838807038530

Quantity per EU/CNT pallet
42/70 pcs

TECHNOLOGY

Primary Function
Start/Stop Functionality

Battery Technology
EFB - Enhanced Flooded Battery

Grid Type (pos/neg)
Expanded/Concasted

Grid Alloy (pos/neg)
Ca/Ca

Separator
PE

Electrolyte (g/cm³)
1,28

TECHNICAL INFORMATION

Voltage (V)
12

Capacity C20 (Ah)
105

CCA -18°C EN (A)
900

RC (min)
192

LxWxH (mm)
306x173x200/221

Total Weight (kg)
23.9

BOX DESIGN

Box Type
D31

Cover Type
SMF

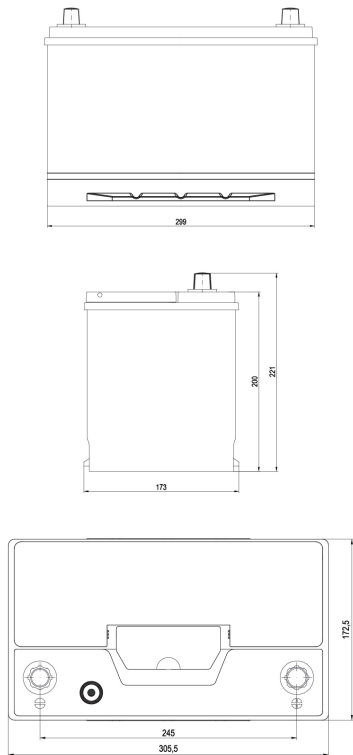
Colour
Black

Layout
0

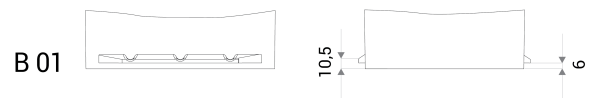
BHD
B01

Terminal
1

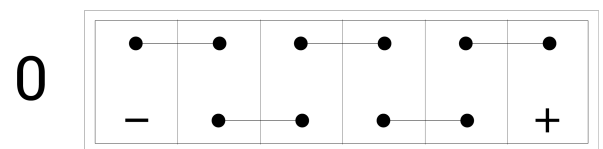
DRAWING



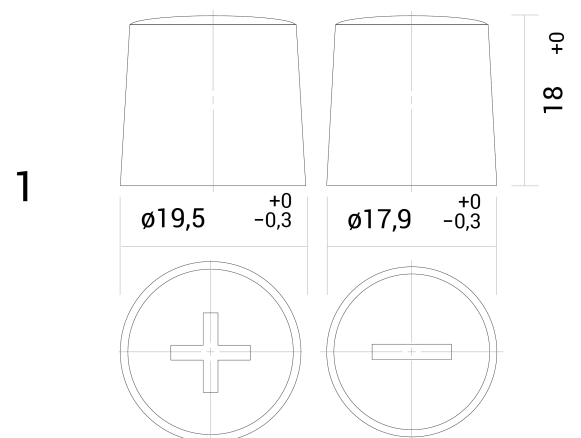
BHD



LAYOUT



TERMINAL



TECHNICAL DATASHEET

VESNA EFB STOP&GO VSG10J

TAB d.d, Polena 6, SI-2392 Mežica, Slovenia, www.tab.si