



TECHNICAL DATASHEET

VESNA AGM STOP&GO VAG95

ORDER INFORMATION

TAB ID

1001393

Short Code

VAG95

DIN Marking

L5 AGM

EAN Code

3838807033191

Quantity per EU/CNT pallet

36/60 pcs

TECHNOLOGY

Primary Function

Advanced Start/Stop Functionality

Battery Technology

AGM - Absorbent Glass Mat

Grid Type (pos/neg)

Casted/Concasted

Grid Alloy (pos/neg)

Ca/Ca

Separator

GM

Electrolyte (g/cm³)

1,3

TECHNICAL INFORMATION

Voltage (V)

12

Capacity C20 (Ah)

95

CCA -18°C EN (A)

850

RC (min)

184

LxWxH (mm)

353x175x190

Total Weight (kg)

26.0

BOX DESIGN

Box Type

L5

Cover Type

Sealed

Colour

Black

Layout

0

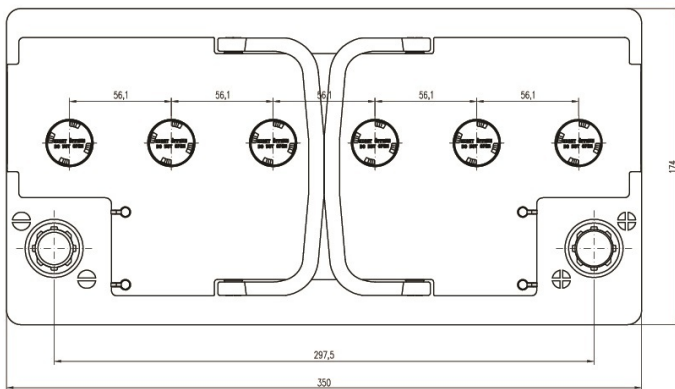
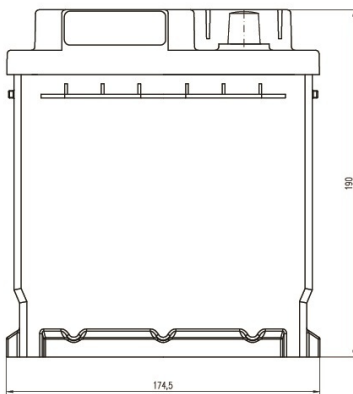
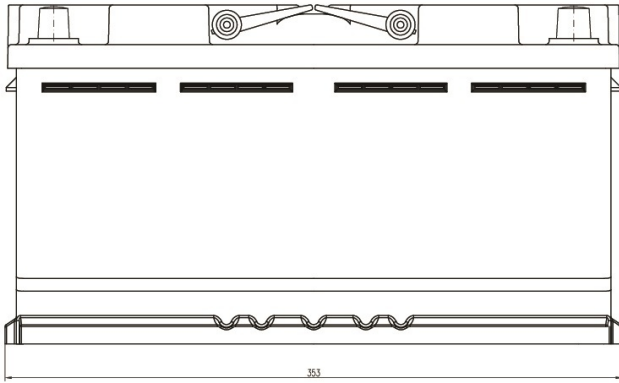
BHD

B13

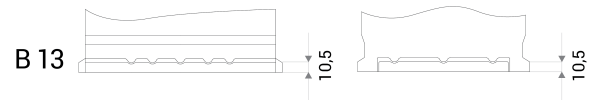
Terminal

1

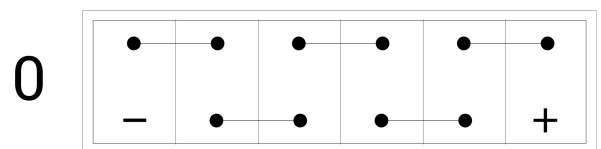
DRAWING



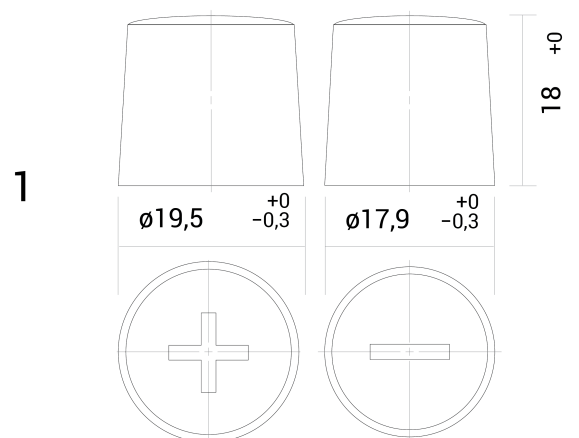
BHD



LAYOUT



TERMINAL



TECHNICAL DATASHEET

VESNA AGM STOP&GO VAG95

TAB d.d, Polena 6, SI-2392 Mežica, Slovenia, www.tab.si