

# TECHNICAL DATASHEET

## **VOLTHOR HR - HOT REGION MF135F51**

### ORDER INFORMATION

TAB ID  
**350612**

Short Code  
**MF135F51**

DIN Marking

EAN Code  
**3838807044999**

Quantity per EU/CNT pallet  
**0/60 pcs**

### TECHNOLOGY

Primary Function  
**Engine Start**

Battery Technology  
**Flooded**

Grid Type (pos/neg)  
**Casted/Concasted**

Grid Alloy (pos/neg)  
**Ca/Ca**

Separator  
**PE**

Electrolyte (g/cm<sup>3</sup>)  
**1,28**

### TECHNICAL INFORMATION

Voltage (V)  
**12**

Capacity C20 (Ah)  
**120**

CCA -18°C EN (A)  
**850**

RC (min)  
**225**

LxWxH (mm)  
**509x175x196/223**

Total Weight (kg)  
**33.3**

### BOX DESIGN

Box Type  
**MAC110**

Cover Type  
**SMF**

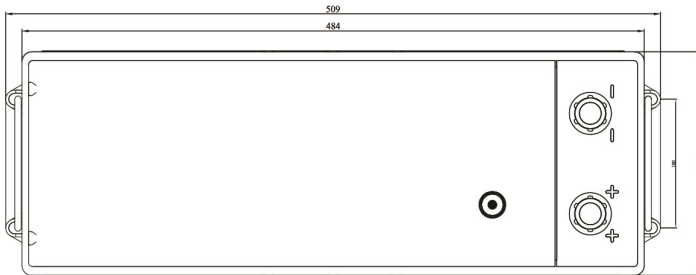
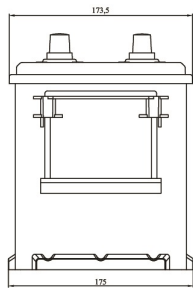
Colour  
**Black**

Layout  
**3**

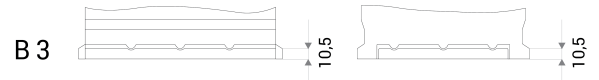
BHD  
**B3**

Terminal  
**1**

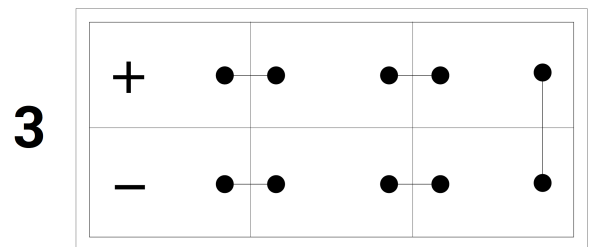
## DRAWING



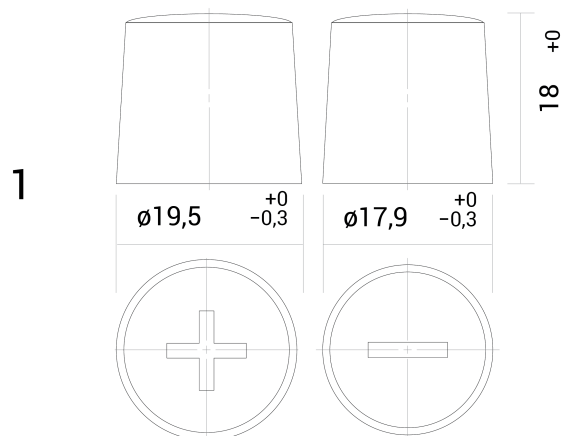
## BHD



## LAYOUT



## TERMINAL



## TECHNICAL DATASHEET

**VOLTHOR HR - HOT REGION MF135F51**

TAB d.d, Polena 6, SI-2392 Mežica, Slovenia, [www.tab.si](http://www.tab.si)