

# TECHNICAL DATASHEET

## VOLTHOR HR - HOT REGION

### MF160G51R

#### ORDER INFORMATION

TAB ID  
**399612**

Short Code  
**MF160G51R**

DIN Marking

EAN Code  
**3838807045071**

Quantity per EU/CNT pallet  
**0/48 pcs**

#### TECHNOLOGY

Primary Function  
**Engine Start**

Battery Technology  
**Flooded**

Grid Type (pos/neg)  
**Casted/Concasted**

Grid Alloy (pos/neg)  
**Ca/Ca**

Separator  
**PE**

Electrolyte (g/cm<sup>3</sup>)  
**1,28**

#### TECHNICAL INFORMATION

Voltage (V)  
**12**

Capacity C20 (Ah)  
**150**

CCA -18°C EN (A)  
**950**

RC (min)  
**292**

LxWxH (mm)  
**513x222x194/221**

Total Weight (kg)  
**40.4**

#### BOX DESIGN

Box Type  
**B**

Cover Type  
**SMF**

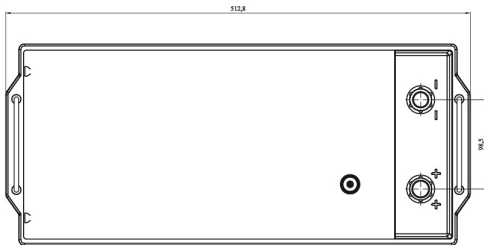
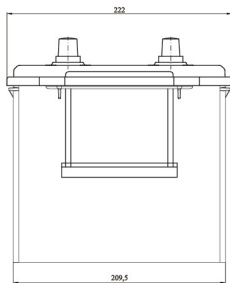
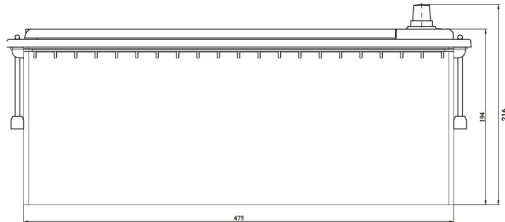
Colour  
**Black**

Layout  
**4**

BHD  
**B0**

Terminal  
**1**

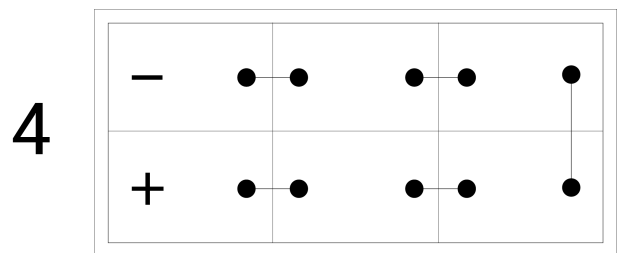
## DRAWING



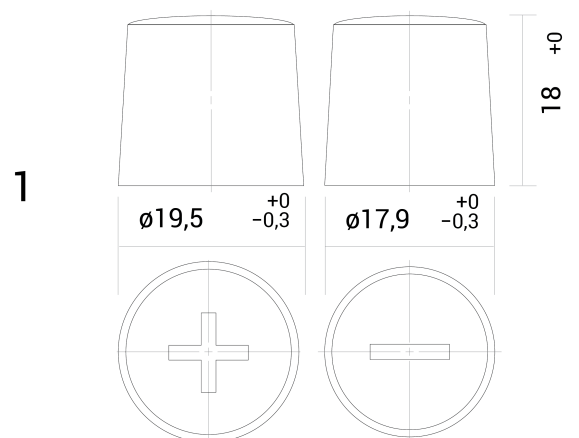
## BHD



## LAYOUT



## TERMINAL



## TECHNICAL DATASHEET

## VOLTHOR HR - HOT REGION

MF160G51R