



TECHNICAL DATASHEET

VESNA PREMIUM PR75

ORDER INFORMATION

TAB ID

1001562

Short Code

PR75

DIN Marking

57510 SMF

EAN Code

3838807033139

Quantity per EU/CNT pallet

51/80 pcs

TECHNOLOGY

Primary Function

Engine Start

Battery Technology

Flooded

Grid Type (pos/neg)

Expanded/Concasted

Grid Alloy (pos/neg)

Ca/Ca

Separator

PE

Electrolyte (g/cm3)

1,28

TECHNICAL INFORMATION

Voltage (V)

12

Capacity C20 (Ah)

75

CCA -18°C EN (A)

720

RC (min)

130

LxWxH (mm)

278x175x175

Total Weight (kg)

16.5

BOX DESIGN

Box Type

L3B

Cover Type

SMF

Colour

Black

Layout

0

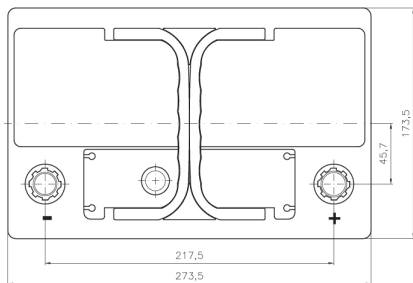
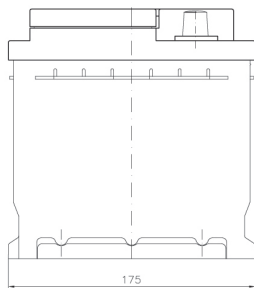
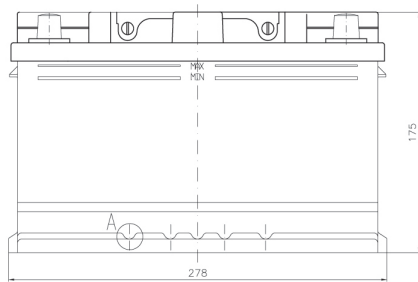
BHD

B13

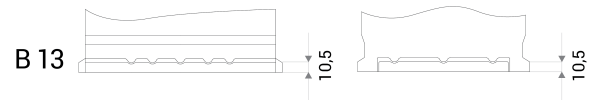
Terminal

1

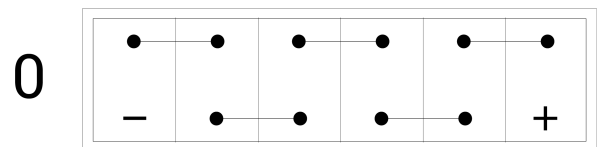
DRAWING



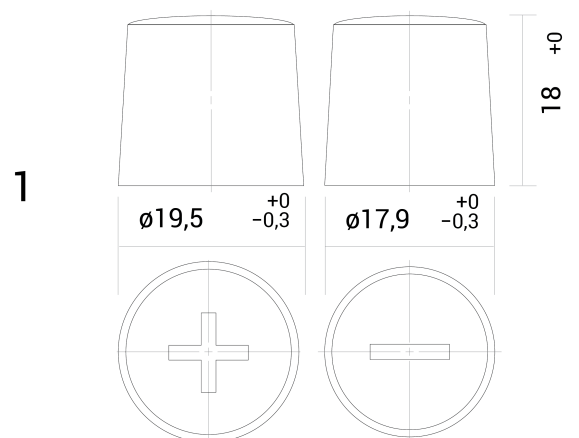
BHD



LAYOUT



TERMINAL



TECHNICAL DATASHEET

VESNA PREMIUM PR75

TAB d.d, Polena 6, SI-2392 Mežica, Slovenia, www.tab.si