



## TECHNICAL DATASHEET

### VESNA POWER P092

#### ORDER INFORMATION

TAB ID  
**1001565**

Short Code  
**P092**

DIN Marking  
**59220 SMF**

EAN Code  
**3838807033047**

Quantity per EU/CNT pallet  
**36/72 pcs**

#### TECHNOLOGY

Primary Function  
**Engine Start**

Battery Technology  
**Flooded**

Grid Type (pos/neg)  
**Expanded/Concasted**

Grid Alloy (pos/neg)  
**Ca/Ca**

Separator  
**PE**

Electrolyte (g/cm<sup>3</sup>)  
**1,28**

#### TECHNICAL INFORMATION

Voltage (V)  
**12**

Capacity C20 (Ah)  
**92**

CCA -18°C EN (A)  
**800**

RC (min)  
**165**

LxWxH (mm)  
**353x175x175**

Total Weight (kg)  
**20.5**

#### BOX DESIGN

Box Type  
**L5B**

Cover Type  
**SMF**

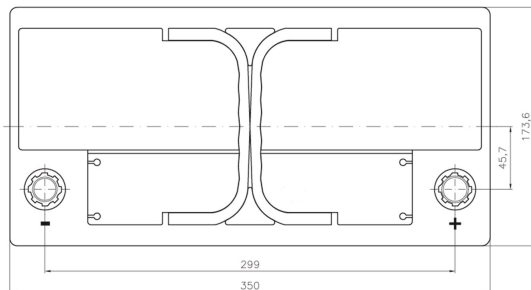
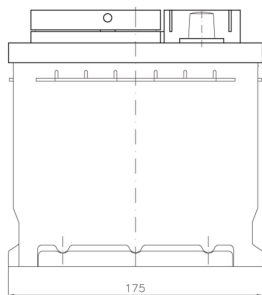
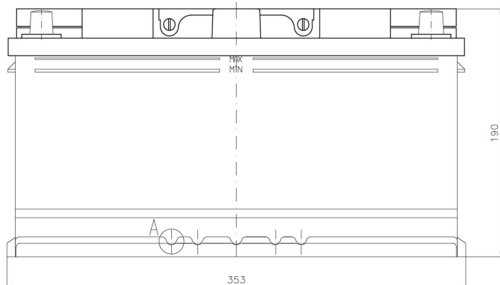
Colour  
**Black**

Layout  
**0**

BHD  
**B13**

Terminal  
**1**

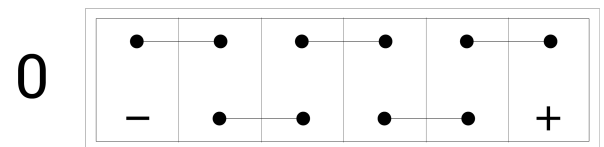
## DRAWING



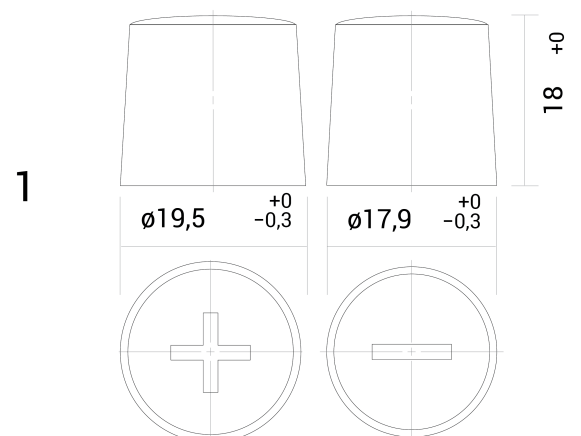
## BHD



## LAYOUT



## TERMINAL



# TECHNICAL DATASHEET

## VESNA POWER P092