



# TECHNICAL DATASHEET

## VESNA POWER P035JP

### ORDER INFORMATION

TAB ID

**1001572**

Short Code

**P035JP**

DIN Marking

**53521 SMF**

EAN Code

**3838807032859**

Quantity per EU/CNT pallet

**96/128 pcs**

### TECHNOLOGY

Primary Function

**Engine Start**

Battery Technology

**Flooded**

Grid Type (pos/neg)

**Expanded/Concasted**

Grid Alloy (pos/neg)

**Ca/Ca**

Separator

**PE**

Electrolyte (g/cm<sup>3</sup>)

**1,28**

### TECHNICAL INFORMATION

Voltage (V)

**12**

Capacity C20 (Ah)

**35**

CCA -18°C EN (A)

**270**

RC (min)

**53**

LxWxH (mm)

**196x134x202/223**

Total Weight (kg)

**9.4**

### BOX DESIGN

Box Type

**B19**

Cover Type

**SMF**

Colour

**Black**

Layout

**0**

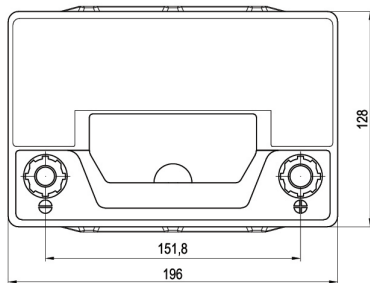
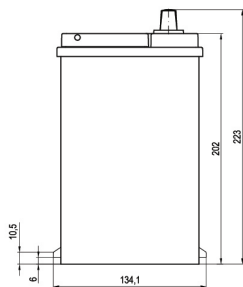
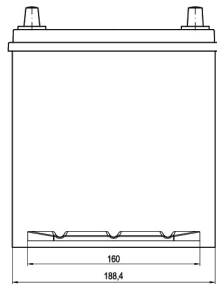
BHD

**B01**

Terminal

**3**

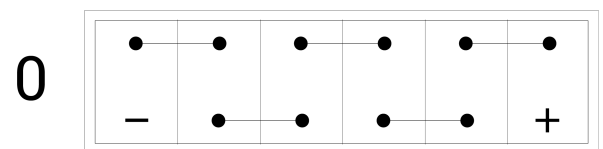
## DRAWING



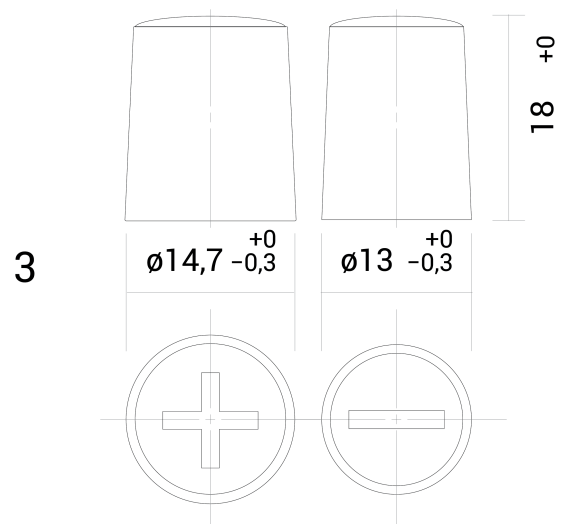
## BHD



## LAYOUT



## TERMINAL



## TECHNICAL DATASHEET

### VESNA POWER PO35JP