



TECHNICAL DATASHEET

VESNA POWER PO40X

ORDER INFORMATION

TAB ID
1001588

Short Code
PO40X

DIN Marking
54003 SMF

EAN Code
3838807032873

Quantity per EU/CNT pallet
72/120 pcs

TECHNOLOGY

Primary Function
Engine Start

Battery Technology
Flooded

Grid Type (pos/neg)
Expanded/Concasted

Grid Alloy (pos/neg)
Ca/Ca

Separator
PE

Electrolyte (g/cm³)
1,28

TECHNICAL INFORMATION

Voltage (V)
12

Capacity C20 (Ah)
40

CCA -18°C EN (A)
360

RC (min)
62

LxWxH (mm)
207x175x175

Total Weight (kg)
10.6

BOX DESIGN

Box Type
L1B

Cover Type
SMF

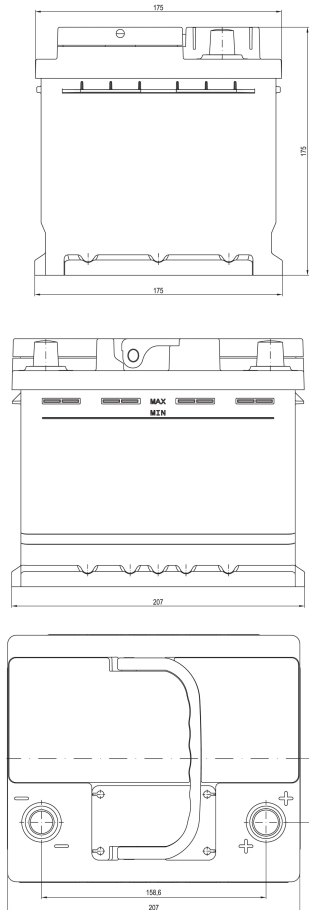
Colour
Black

Layout
1

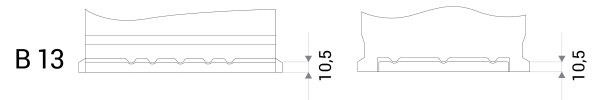
BHD
B13

Terminal
1

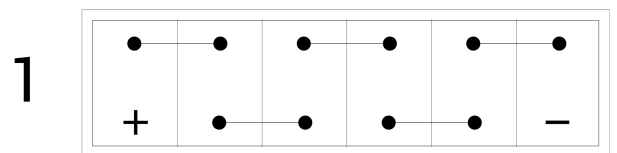
DRAWING



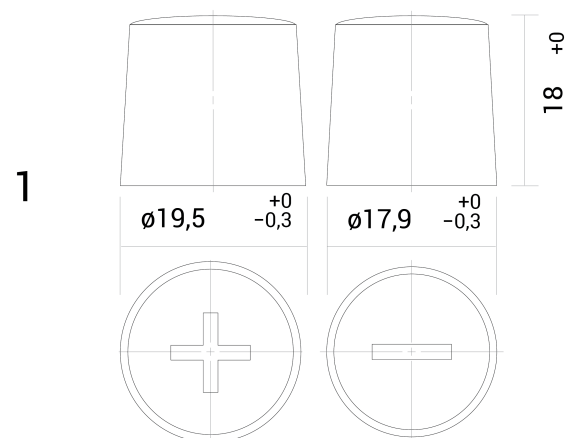
BHD



LAYOUT



TERMINAL



TECHNICAL DATASHEET

VESNA POWER PO40X

TAB d.d, Polena 6, SI-2392 Mežica, Slovenia, www.tab.si