

# TECHNICAL DATASHEET

## **VESNA HR – HOT REGION MF72527**

### ORDER INFORMATION

TAB ID  
**425612**

Short Code  
**MF72527**

DIN Marking

EAN Code  
**3838807042452**

Quantity per EU/CNT pallet  
**0/36 pcs**

### TECHNOLOGY

Primary Function  
**Engine Start**

Battery Technology  
**Flooded**

Grid Type (pos/neg)  
**Casted/Concasted**

Grid Alloy (pos/neg)  
**Ca/Ca**

Separator  
**PE**

Electrolyte (g/cm<sup>3</sup>)  
**1,28**

### TECHNICAL INFORMATION

Voltage (V)  
**12**

Capacity C20 (Ah)  
**225**

CCA -18°C EN (A)  
**1300**

RC (min)  
**469**

LxWxH (mm)  
**517x275x214/241**

Total Weight (kg)  
**56.1**

### BOX DESIGN

Box Type  
**C**

Cover Type  
**SMF**

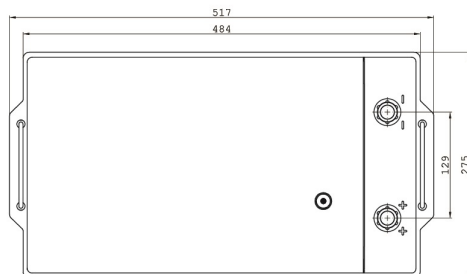
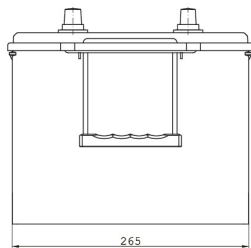
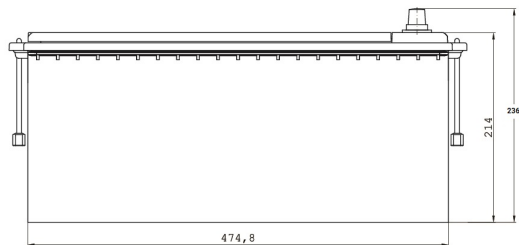
Colour  
**Black**

Layout  
**3**

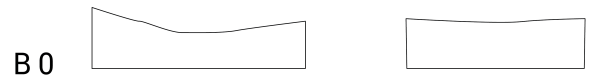
BHD  
**B0**

Terminal  
**1**

## DRAWING



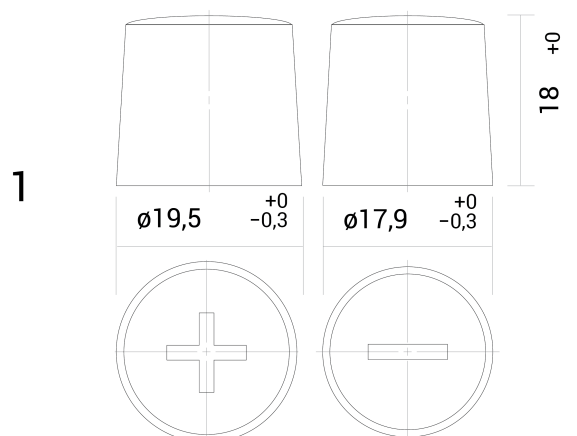
## BHD



## LAYOUT



## TERMINAL



## TECHNICAL DATASHEET

**VESNA HR – HOT REGION MF72527**