



TECHNICAL DATASHEET

TOPLA TOP TRUCK TT18

ORDER INFORMATION

TAB ID

1001758

Short Code

TT18

DIN Marking

68032 SMF

EAN Code

3838807042698

Quantity per EU/CNT pallet

21/28 pcs

TECHNOLOGY

Primary Function

Engine Start

Battery Technology

Flooded

Grid Type (pos/neg)

Casted/Concasted

Grid Alloy (pos/neg)

Ca/Ca

Separator

PE

Electrolyte (g/cm³)

1,28

TECHNICAL INFORMATION

Voltage (V)

12

Capacity C20 (Ah)

180

CCA -18°C EN (A)

1100

RC (min)

361

LxWxH (mm)

513x222x194/221

Total Weight (kg)

43.1

BOX DESIGN

Box Type

B

Cover Type

SMF

Colour

Black

Layout

3

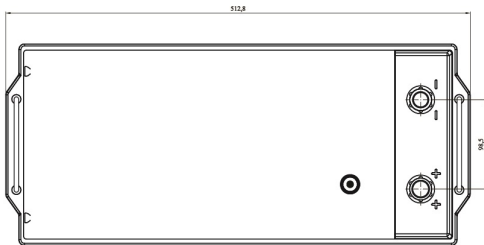
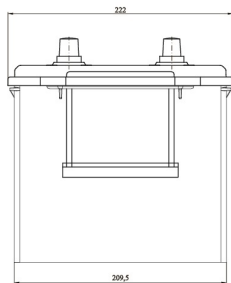
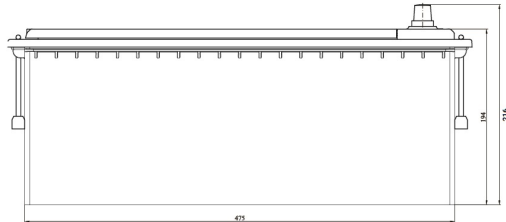
BHD

B0

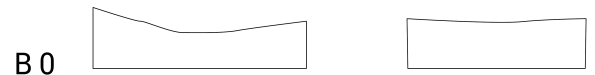
Terminal

1

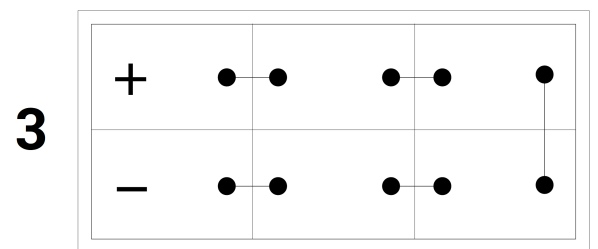
DRAWING



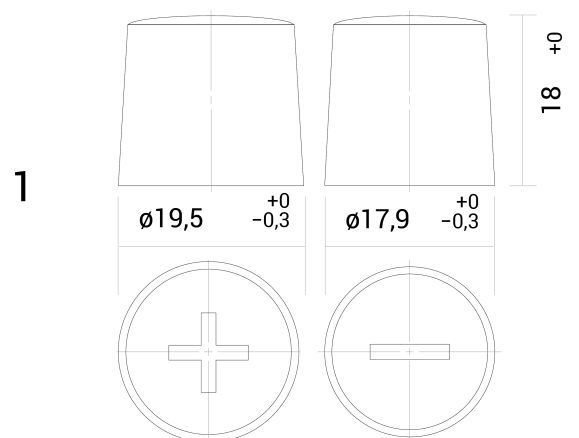
BHD



LAYOUT



TERMINAL



TECHNICAL DATASHEET

TOPLA TOP TRUCK TT18