

TECHNICAL DATASHEET

TAB HR - HOT REGION MF135F51

ORDER INFORMATION

TAB ID
443612

Short Code
MF135F51

DIN Marking

EAN Code
3838807041981

Quantity per EU/CNT pallet
0/60 pcs

TECHNOLOGY

Primary Function
Engine Start

Battery Technology
Flooded

Grid Type (pos/neg)
Casted/Concasted

Grid Alloy (pos/neg)
Ca/Ca

Separator
PE

Electrolyte (g/cm³)
1,28

TECHNICAL INFORMATION

Voltage (V)
12

Capacity C20 (Ah)
120

CCA -18°C EN (A)
850

RC (min)
225

LxWxH (mm)
509x175x196/223

Total Weight (kg)
33.3

BOX DESIGN

Box Type
MAC110

Cover Type
SMF

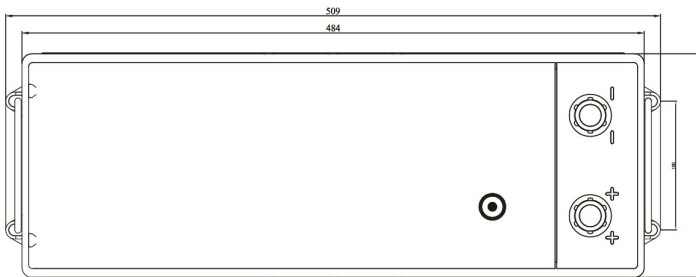
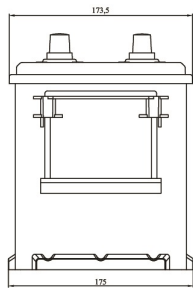
Colour
Black

Layout
3

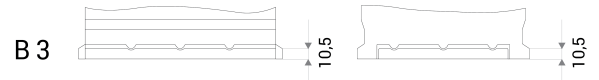
BHD
B3

Terminal
1

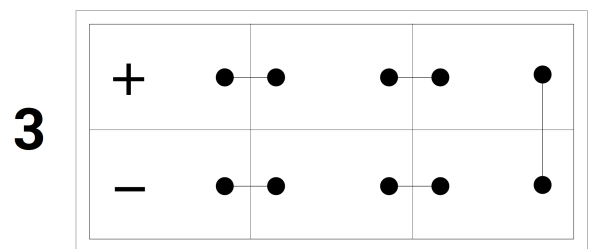
DRAWING



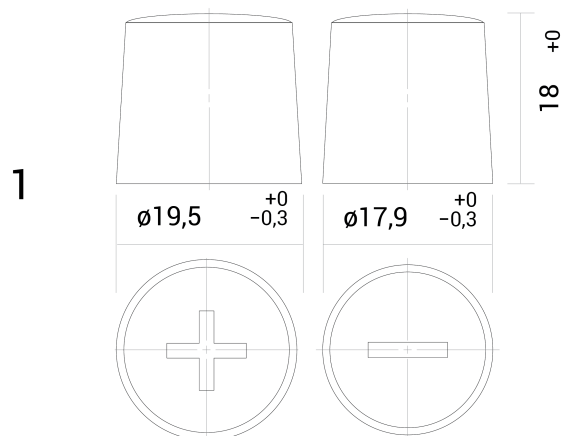
BHD



LAYOUT



TERMINAL



TECHNICAL DATASHEET

TAB HR - HOT REGION MF135F51