



## TECHNICAL DATASHEET

# TAB EFB STOP&GO TRUCK SG24

### ORDER INFORMATION

TAB ID

**1001778**

Short Code

**SG24**

DIN Marking

**74027 EFB**

EAN Code

**3838807042773**

Quantity per EU/CNT pallet

**18/24 pcs**

### TECHNOLOGY

Primary Function

**Engine Start**

Battery Technology

**EFB - Enhanced Flooded Battery**

Grid Type (pos/neg)

**Casted/Concasted**

Grid Alloy (pos/neg)

**Ca/Ca**

Separator

**PE+GM**

Electrolyte (g/cm<sup>3</sup>)

**1,28**

### TECHNICAL INFORMATION

Voltage (V)

**12**

Capacity C20 (Ah)

**240**

CCA -18°C EN (A)

**1250**

RC (min)

**506**

LxWxH (mm)

**517x275x214/241**

Total Weight (kg)

**58.6**

### BOX DESIGN

Box Type

**C**

Cover Type

**SMF**

Colour

**Black**

Layout

**3**

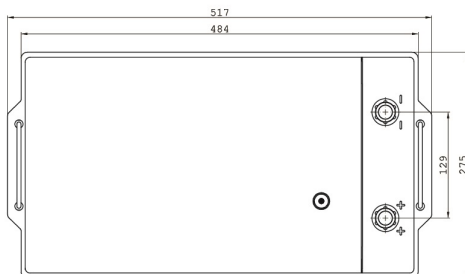
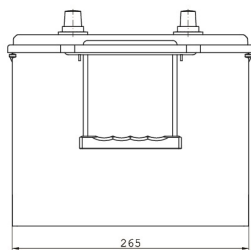
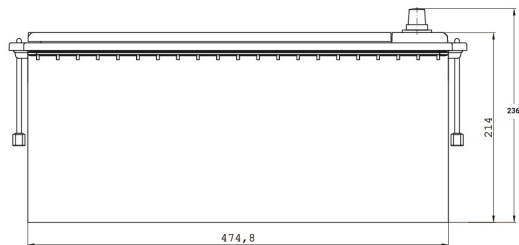
BHD

**B0**

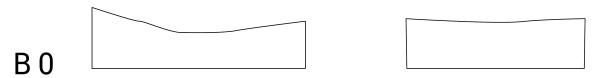
Terminal

**1**

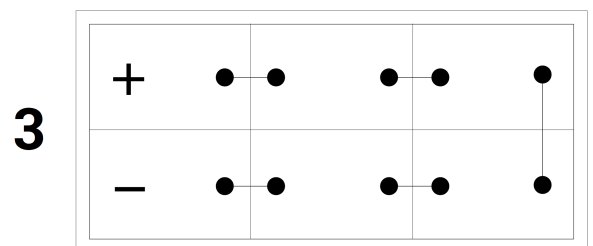
## DRAWING



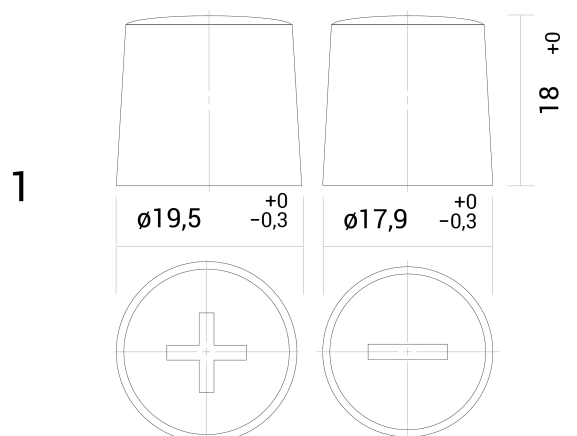
## BHD



## LAYOUT



## TERMINAL



## TECHNICAL DATASHEET

# TAB EFB STOP&GO TRUCK SG24