



TECHNICAL DATASHEET

VOLTHOR EFB STOP&GO TRUCK VEF19

ORDER INFORMATION

TAB ID
1001921

Short Code
VEF19

DIN Marking
69032 EFB

EAN Code
3838807043107

Quantity per EU/CNT pallet
21/28 pcs

TECHNOLOGY

Primary Function
Engine Start

Battery Technology
EFB - Enhanced Flooded Battery

Grid Type (pos/neg)
Casted/Concasted

Grid Alloy (pos/neg)
Ca/Ca

Separator
PE+GM

Electrolyte (g/cm³)
1,28

TECHNICAL INFORMATION

Voltage (V)
12

Capacity C20 (Ah)
190

CCA -18°C EN (A)
1100

RC (min)
385

LxWxH (mm)
513x222x194/221

Total Weight (kg)
45.3

BOX DESIGN

Box Type
B

Cover Type
SMF

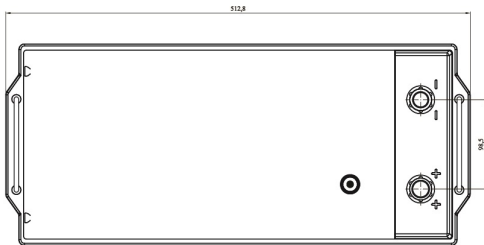
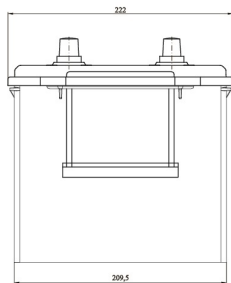
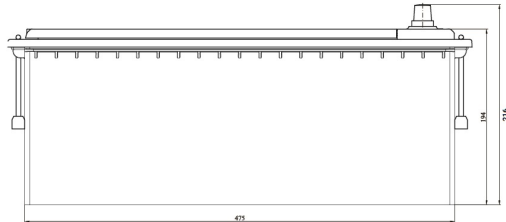
Colour
Black

Layout
3

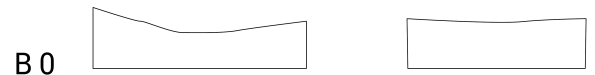
BHD
B0

Terminal
1

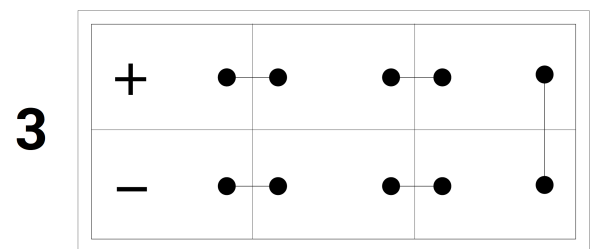
DRAWING



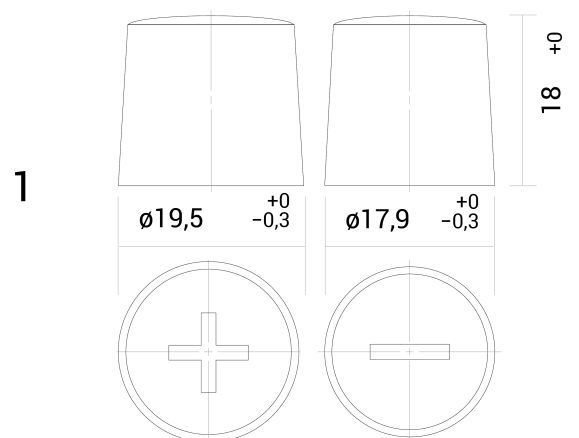
BHD



LAYOUT



TERMINAL



TECHNICAL DATASHEET

VOLTHOR EFB STOP&GO TRUCK

VEF19