



TECHNICAL DATASHEET

VOLTHOR EFB STOP&GO VEF65

ORDER INFORMATION

TAB ID
1002043

Short Code
VEF65

DIN Marking
56588 EFB

EAN Code
3838807038141

Quantity per EU/CNT pallet
51/96 pcs

TECHNOLOGY

Primary Function
Start/Stop Functionality

Battery Technology
EFB - Enhanced Flooded Battery

Grid Type (pos/neg)
Expanded/Concasted

Grid Alloy (pos/neg)
Ca/Ca

Separator
PE

Electrolyte (g/cm³)
1,28

TECHNICAL INFORMATION

Voltage (V)
12

Capacity C20 (Ah)
65

CCA -18°C EN (A)
650

RC (min)
110

LxWxH (mm)
278x175x175

Total Weight (kg)
16.5

BOX DESIGN

Box Type
L3B

Cover Type
SMF

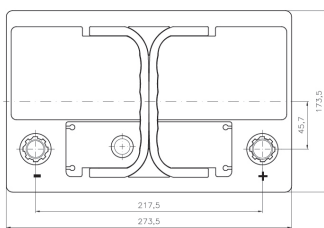
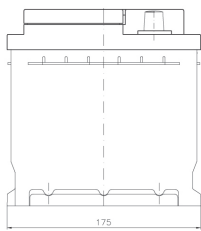
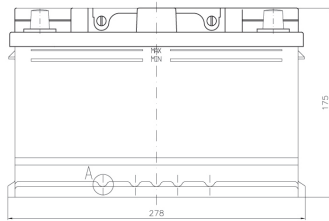
Colour
Black

Layout
0

BHD
B13

Terminal
1

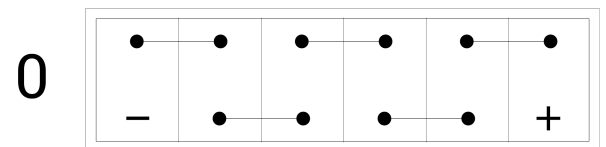
DRAWING



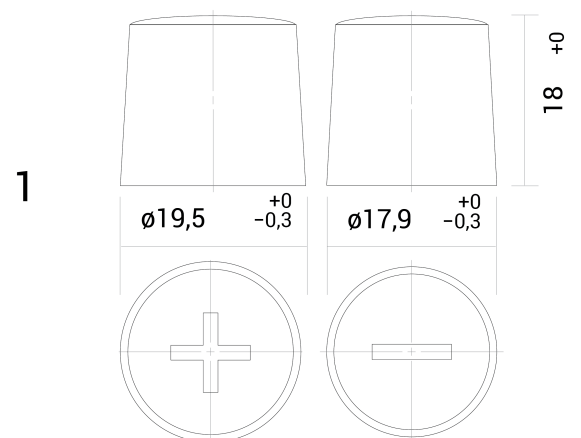
BHD



LAYOUT



TERMINAL



TECHNICAL DATASHEET

VOLTHOR EFB STOP&GO VEF65