



TECHNICAL DATASHEET

VOLTHOR EFB STOP&GO VEF65JX

ORDER INFORMATION

TAB ID
1002049

Short Code
VEF65JX

DIN Marking
56569 EFB

EAN Code
3838807038400

Quantity per EU/CNT pallet
60/90 pcs

TECHNOLOGY

Primary Function
Start/Stop Functionality

Battery Technology
EFB - Enhanced Flooded Battery

Grid Type (pos/neg)
Expanded/Concasted

Grid Alloy (pos/neg)
Ca/Ca

Separator
PE

Electrolyte (g/cm³)
1,28

TECHNICAL INFORMATION

Voltage (V)
12

Capacity C20 (Ah)
65

CCA -18°C EN (A)
600

RC (min)
110

LxWxH (mm)
230x173x200/221

Total Weight (kg)
17.1

BOX DESIGN

Box Type
D23

Cover Type
SMF

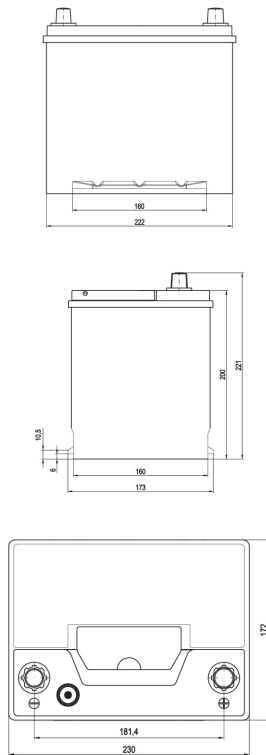
Colour
Black

Layout
1

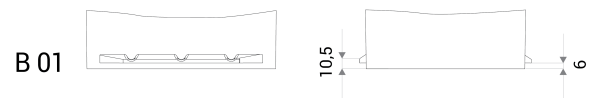
BHD
B01

Terminal
1

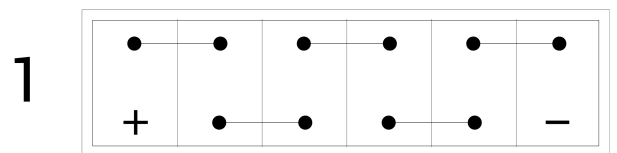
DRAWING



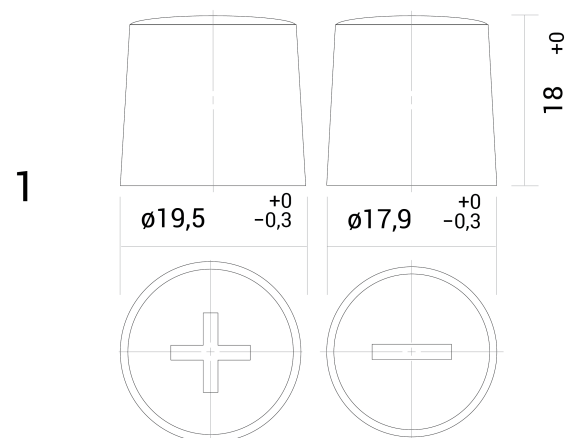
BHD



LAYOUT



TERMINAL



TECHNICAL DATASHEET

VOLTHOR EFB STOP&GO VEF65JX

TAB d.d, Polena 6, SI-2392 Mežica, Slovenia, www.tab.si