

# TECHNICAL DATASHEET

## VOLTHOR EFB STOP&GO VEF70JX

### ORDER INFORMATION

TAB ID

**1002052**

Short Code

**VEF70JX**

DIN Marking

**57024 EFB**

EAN Code

**3838807047723**

Quantity per EU/CNT pallet

**48/80 pcs**

### TECHNOLOGY

Primary Function

**Start/Stop Functionality**

Battery Technology

**EFB - Enhanced Flooded Battery**

Grid Type (pos/neg)

**Expanded/Concasted**

Grid Alloy (pos/neg)

**Ca/Ca**

Separator

**PE**

Electrolyte (g/cm<sup>3</sup>)

**1,28**

### TECHNICAL INFORMATION

Voltage (V)

**12**

Capacity C20 (Ah)

**70**

CCA -18°C EN (A)

**680**

RC (min)

**120**

LxWxH (mm)

**259x175x200/221**

Total Weight (kg)

**19.6**

### BOX DESIGN

Box Type

**D26**

Cover Type

**SMF**

Colour

**Black**

Layout

**1**

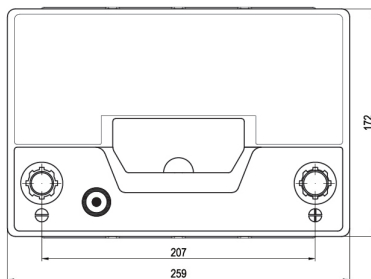
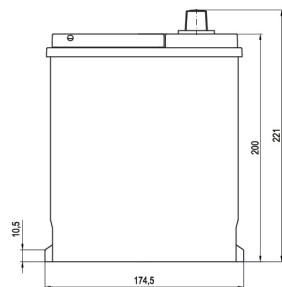
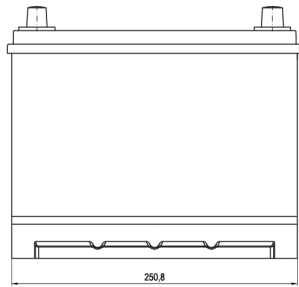
BHD

**B1**

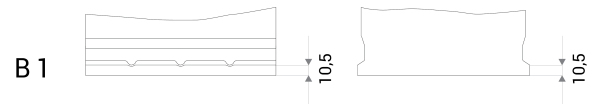
Terminal

**1**

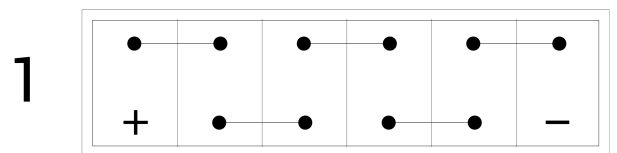
## DRAWING



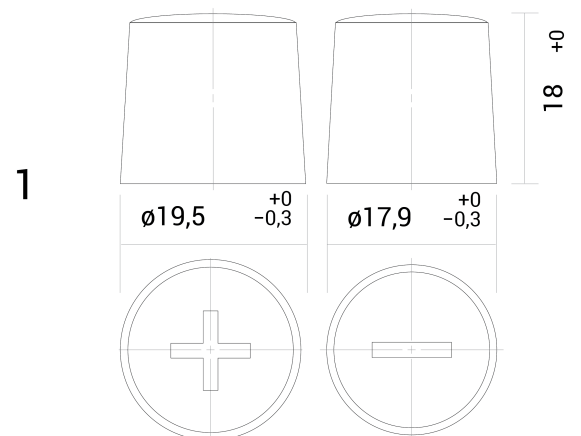
## BHD



## LAYOUT



## TERMINAL



## TECHNICAL DATASHEET

**VOLTHOR EFB STOP&GO VEF70JX**

TAB d.d, Polena 6, SI-2392 Mežica, Slovenia, [www.tab.si](http://www.tab.si)