



TECHNICAL DATASHEET

VESNA POWER TRUCK VT11D7

ORDER INFORMATION

TAB ID

1002282

Short Code

VT11D7

DIN Marking

6TN

EAN Code

3838807025554

Quantity per EU/CNT pallet

24/36 pcs

TECHNOLOGY

Primary Function

Engine Start

Battery Technology

Flooded

Grid Type (pos/neg)

Casted/Casted

Grid Alloy (pos/neg)

Ca/Ca

Separator

PE

Electrolyte (g/cm³)

1,28

TECHNICAL INFORMATION

Voltage (V)

12

Capacity C20 (Ah)

110

CCA -18°C EN (A)

740

RC (min)

203

LxWxH (mm)

282x269x208/230

Total Weight (kg)

30.8

BOX DESIGN

Box Type

D7

Cover Type

Flat

Colour

Black

Layout

2

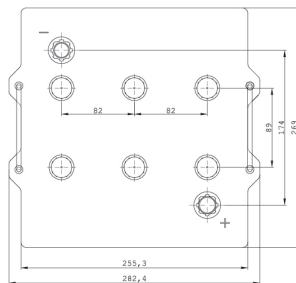
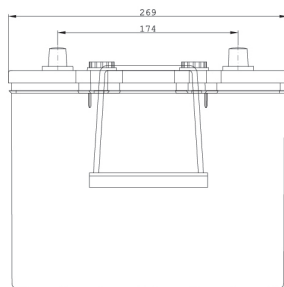
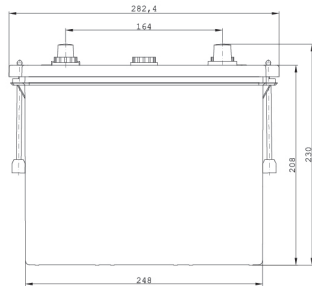
BHD

B0

Terminal

1

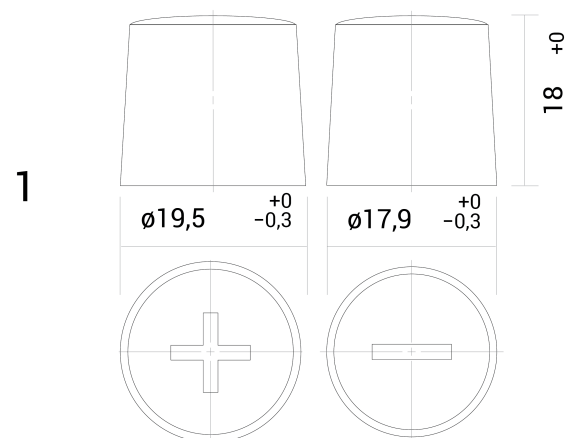
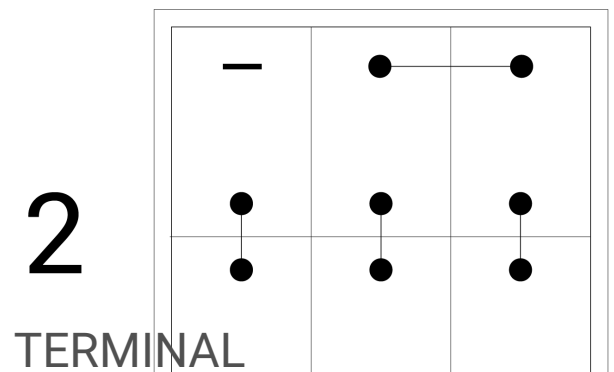
DRAWING



BHD



LAYOUT



TECHNICAL DATASHEET

VESNA POWER TRUCK VT11D7