

TECHNICAL DATASHEET

VOLTHOR HR - HOT REGION MF58043

ORDER INFORMATION

TAB ID
601280

Short Code
MF58043

DIN Marking

EAN Code
3838807045361

Quantity per EU/CNT pallet
0/105 pcs

TECHNOLOGY

Primary Function
Engine Start

Battery Technology
Flooded

Grid Type (pos/neg)
Expanded/Concasted

Grid Alloy (pos/neg)
Ca/Ca

Separator
PE

Electrolyte (g/cm³)
1,28

TECHNICAL INFORMATION

Voltage (V)
12

Capacity C20 (Ah)
80

CCA -18°C EN (A)
640

RC (min)
140

LxWxH (mm)
315x175x190

Total Weight (kg)
18.2

BOX DESIGN

Box Type
L4

Cover Type
SMF

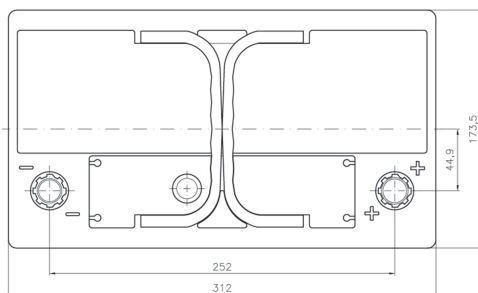
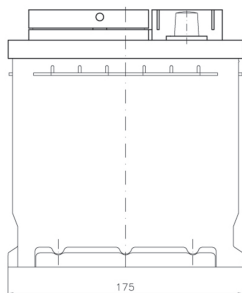
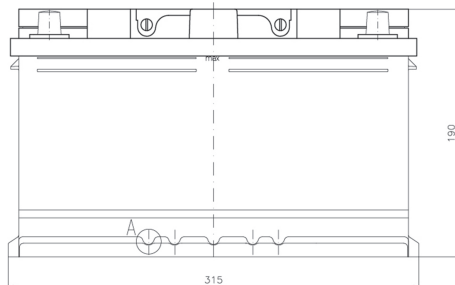
Colour
Black

Layout
0

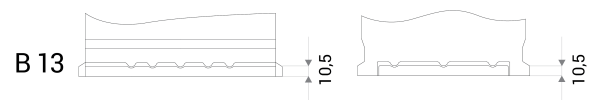
BHD
B13

Terminal
1

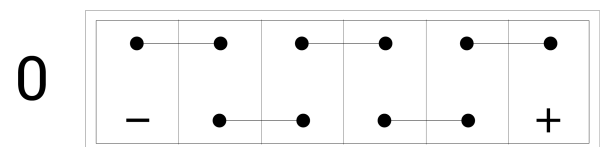
DRAWING



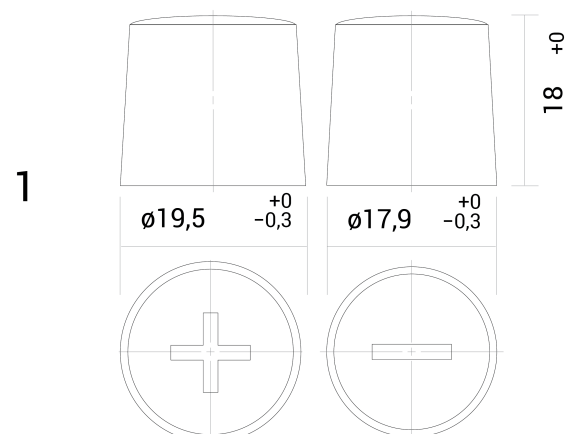
BHD



LAYOUT



TERMINAL



TECHNICAL DATASHEET

VOLTHOR HR - HOT REGION MF58043