

# TECHNICAL DATASHEET

## **VOLTHOR HR - HOT REGION MF54519**

### **ORDER INFORMATION**

TAB ID

**601445**

Short Code

**MF54519**

DIN Marking

EAN Code

**3838807045392**

Quantity per EU/CNT pallet

**0/154 pcs**

### **TECHNOLOGY**

Primary Function

**Engine Start**

Battery Technology

**Flooded**

Grid Type (pos/neg)

**Expanded/Concasted**

Grid Alloy (pos/neg)

**Ca/Ca**

Separator

**PE**

Electrolyte (g/cm<sup>3</sup>)

**1,28**

### **TECHNICAL INFORMATION**

Voltage (V)

**12**

Capacity C20 (Ah)

**45**

CCA -18°C EN (A)

**380**

RC (min)

**71**

LxWxH (mm)

**242x175x175**

Total Weight (kg)

**12.1**

### **BOX DESIGN**

Box Type

**L2B**

Cover Type

**SMF**

Colour

**Black**

Layout

**0**

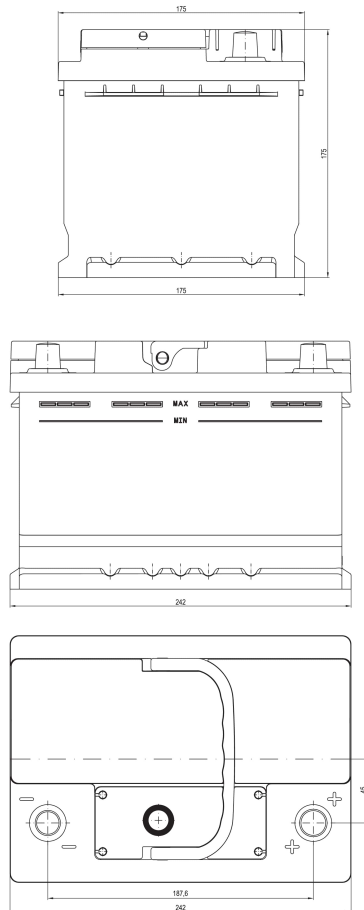
BHD

**B13**

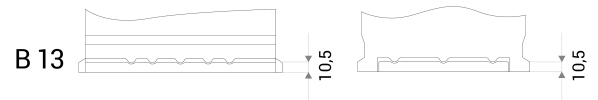
Terminal

**1**

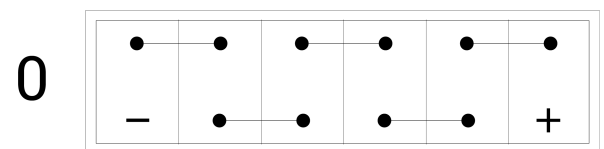
## DRAWING



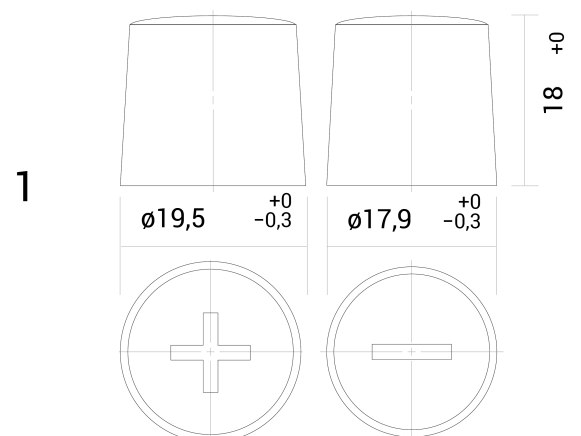
## BHD



## LAYOUT



## TERMINAL



## TECHNICAL DATASHEET

**VOLTHOR HR - HOT REGION MF54519**

TAB d.d, Polena 6, SI-2392 Mežica, Slovenia, [www.tab.si](http://www.tab.si)