

TECHNICAL DATASHEET

VOLTHOR HR - HOT REGION MF40B19L

ORDER INFORMATION

TAB ID
601835

Short Code
MF40B19L

DIN Marking

EAN Code
3838807045491

Quantity per EU/CNT pallet
0/224 pcs

TECHNOLOGY

Primary Function
Engine Start

Battery Technology
Flooded

Grid Type (pos/neg)
Expanded/Concasted

Grid Alloy (pos/neg)
Ca/Ca

Separator
PE

Electrolyte (g/cm³)
1,28

TECHNICAL INFORMATION

Voltage (V)
12

Capacity C20 (Ah)
35

CCA -18°C EN (A)
270

RC (min)
53

LxWxH (mm)
196x128x202/223

Total Weight (kg)
9.4

BOX DESIGN

Box Type
B19

Cover Type
SMF

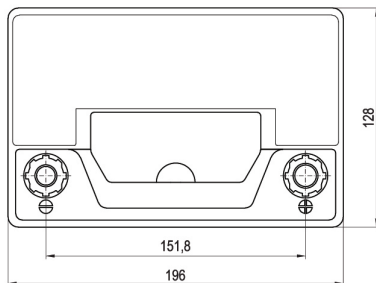
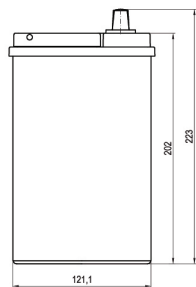
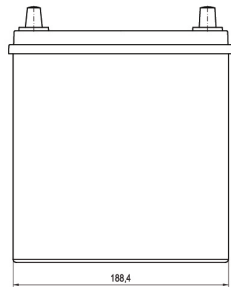
Colour
Black

Layout
0

BHD
B0

Terminal
3

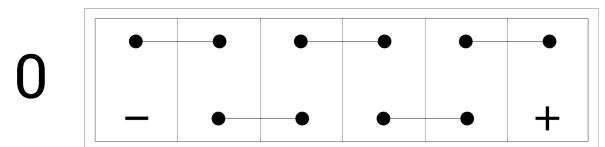
DRAWING



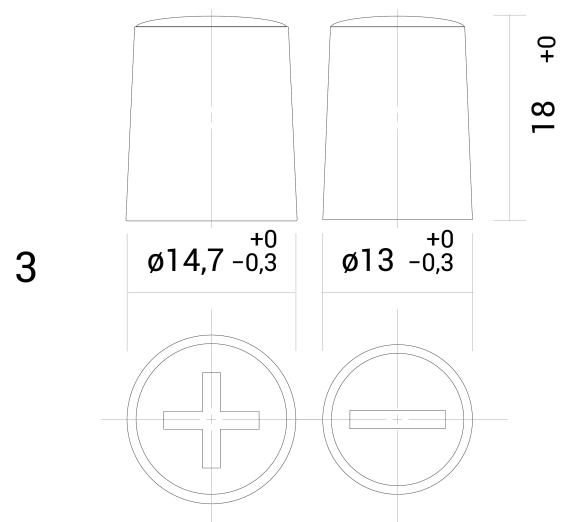
BHD



LAYOUT



TERMINAL



TECHNICAL DATASHEET

VOLTHOR HR - HOT REGION MF40B19L

TAB d.d, Polena 6, SI-2392 Mežica, Slovenia, www.tab.si