

TECHNICAL DATASHEET

VOLTHOR HR - HOT REGION L2 AGM

ORDER INFORMATION

TAB ID
601862

Short Code
L2 AGM

DIN Marking

EAN Code
3838807045538

Quantity per EU/CNT pallet
0/110 pcs

TECHNOLOGY

Primary Function
Advanced Start/Stop Functionality

Battery Technology
AGM - Absorbent Glass Mat

Grid Type (pos/neg)
Casted/Concasted

Grid Alloy (pos/neg)
Ca/Ca

Separator
GM

Electrolyte (g/cm³)
1,3

TECHNICAL INFORMATION

Voltage (V)
12

Capacity C20 (Ah)
60

CCA -18°C EN (A)
680

RC (min)
109

LxWxH (mm)
242x175x190

Total Weight (kg)
17.9

BOX DESIGN

Box Type
L2

Cover Type
Sealed

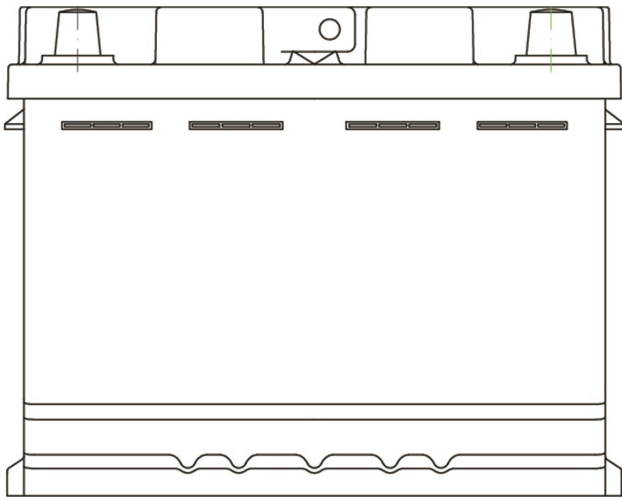
Colour
Black

Layout
0

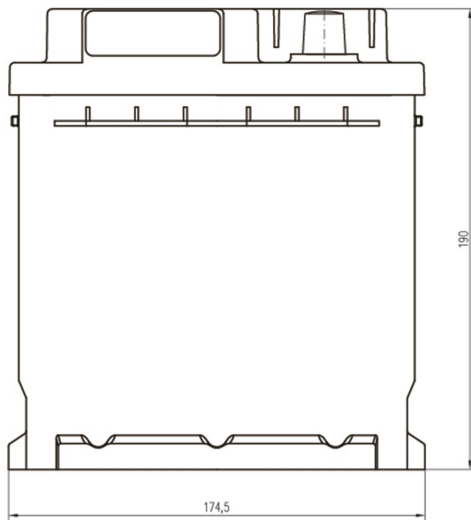
BHD
B13

Terminal
1

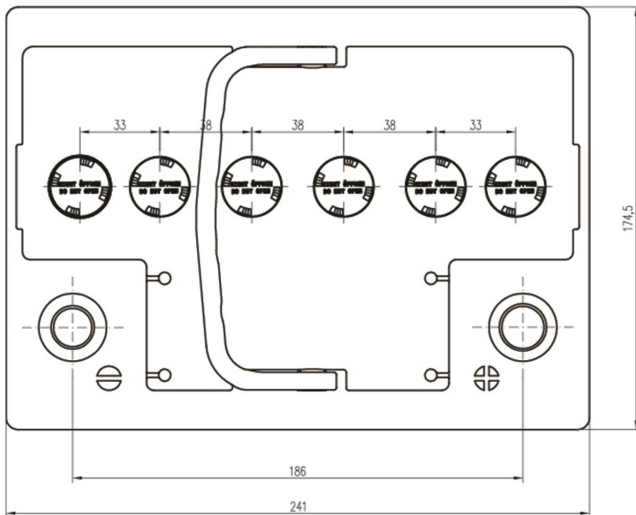
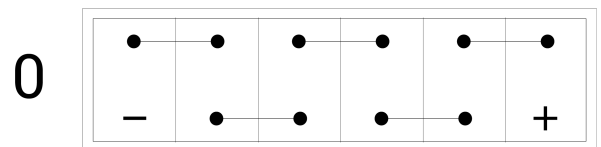
DRAWING



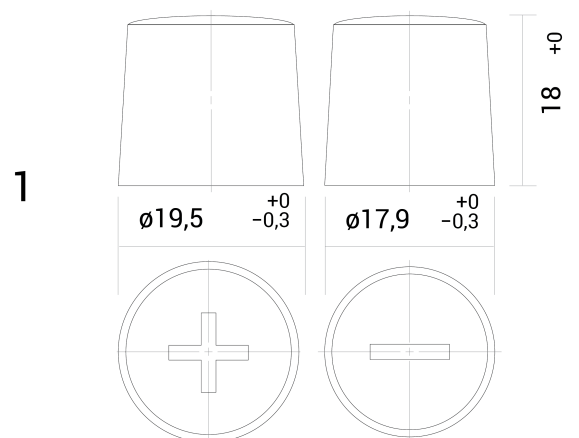
BHD



LAYOUT



TERMINAL



TECHNICAL DATASHEET

VOLTHOR HR - HOT REGION L2 AGM