

TECHNICAL DATASHEET

VESNA HR – HOT REGION MF54321

ORDER INFORMATION

TAB ID
615045

Short Code
MF54321

DIN Marking

EAN Code
3838807041301

Quantity per EU/CNT pallet
0/175 pcs

TECHNOLOGY

Primary Function
Engine Start

Battery Technology
Flooded

Grid Type (pos/neg)
Expanded/Concasted

Grid Alloy (pos/neg)
Ca/Ca

Separator
PE

Electrolyte (g/cm³)
1,28

TECHNICAL INFORMATION

Voltage (V)
12

Capacity C20 (Ah)
45

CCA -18°C EN (A)
400

RC (min)
71

LxWxH (mm)
207x175x175

Total Weight (kg)
11.0

BOX DESIGN

Box Type
L1B

Cover Type
SMF

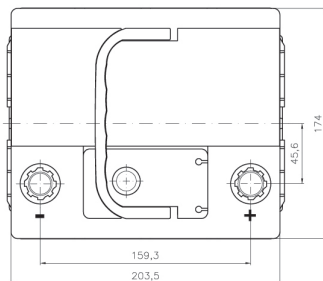
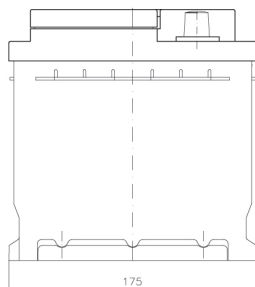
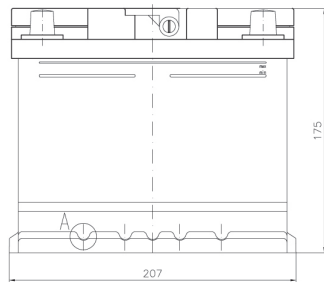
Colour
Black

Layout
0

BHD
B13

Terminal
1

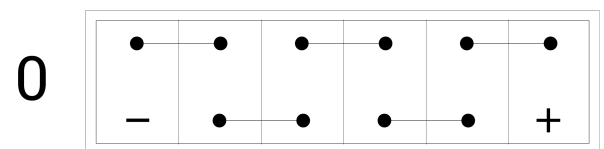
DRAWING



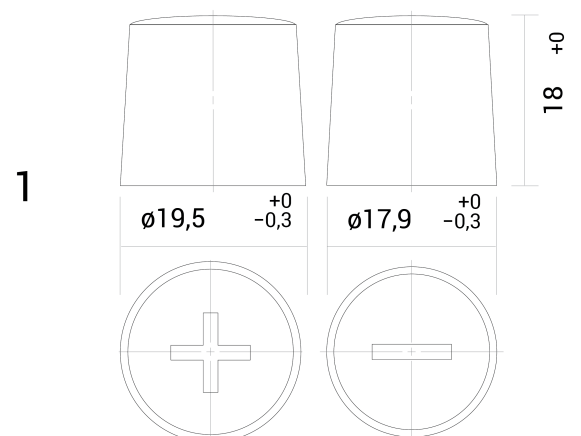
BHD



LAYOUT



TERMINAL



TECHNICAL DATASHEET

VESNA HR – HOT REGION MF54321