

# TECHNICAL DATASHEET

## **VESNA HR – HOT REGION MF48D26L**

### **ORDER INFORMATION**

TAB ID  
**615250**

Short Code  
**MF48D26L**

DIN Marking

EAN Code  
**3838807041653**

Quantity per EU/CNT pallet  
**0/140 pcs**

### **TECHNOLOGY**

Primary Function  
**Engine Start**

Battery Technology  
**Flooded**

Grid Type (pos/neg)  
**Expanded/Concasted**

Grid Alloy (pos/neg)  
**Ca/Ca**

Separator  
**PE**

Electrolyte (g/cm<sup>3</sup>)  
**1,28**

### **TECHNICAL INFORMATION**

Voltage (V)  
**12**

Capacity C20 (Ah)  
**50**

CCA -18°C EN (A)  
**400**

RC (min)  
**81**

LxWxH (mm)  
**259x175x200/221**

Total Weight (kg)  
**15.0**

### **BOX DESIGN**

Box Type  
**D26**

Cover Type  
**SMF**

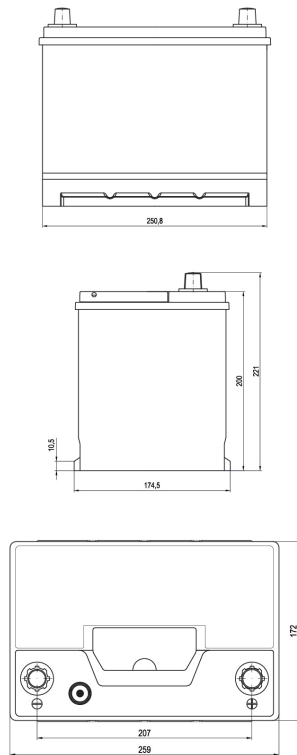
Colour  
**Black**

Layout  
**0**

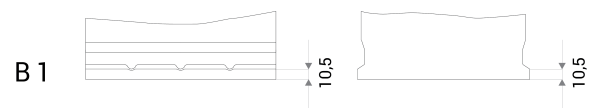
BHD  
**B1**

Terminal  
**1**

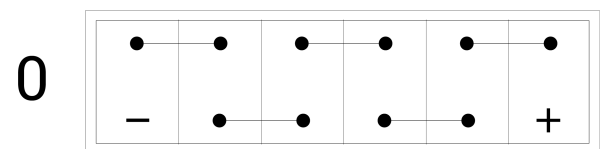
## DRAWING



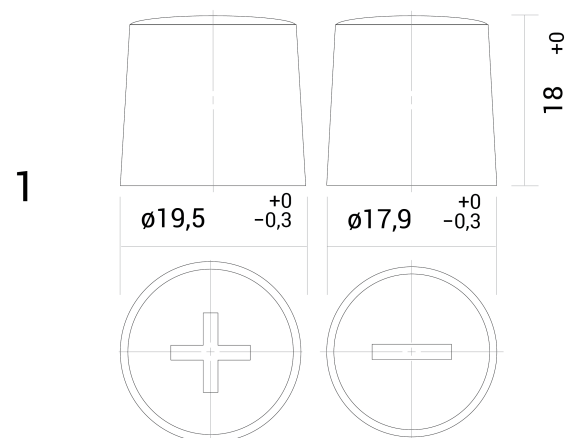
## BHD



## LAYOUT



## TERMINAL



# TECHNICAL DATASHEET

**VESNA HR – HOT REGION MF48D26L**

TAB d.d, Polena 6, SI-2392 Mežica, Slovenia, [www.tab.si](http://www.tab.si)