

TECHNICAL DATASHEET

VESNA HR – HOT REGION MF55D23L

ORDER INFORMATION

TAB ID

615860

Short Code

MF55D23L

DIN Marking

EAN Code

3838807041691

Quantity per EU/CNT pallet

0/144 pcs

TECHNOLOGY

Primary Function

Engine Start

Battery Technology

Flooded

Grid Type (pos/neg)

Expanded/Concasted

Grid Alloy (pos/neg)

Ca/Ca

Separator

PE

Electrolyte (g/cm³)

1,28

TECHNICAL INFORMATION

Voltage (V)

12

Capacity C20 (Ah)

60

CCA -18°C EN (A)

500

RC (min)

100

LxWxH (mm)

230x173x200/220

Total Weight (kg)

14.2

BOX DESIGN

Box Type

D23

Cover Type

SMF

Colour

Black

Layout

0

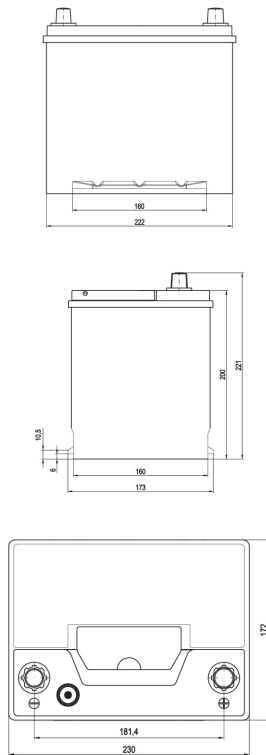
BHD

B01

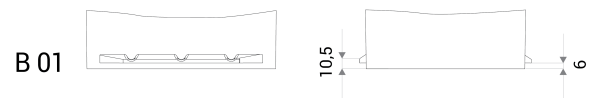
Terminal

1

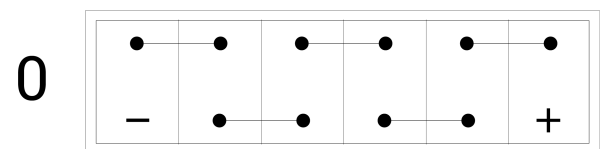
DRAWING



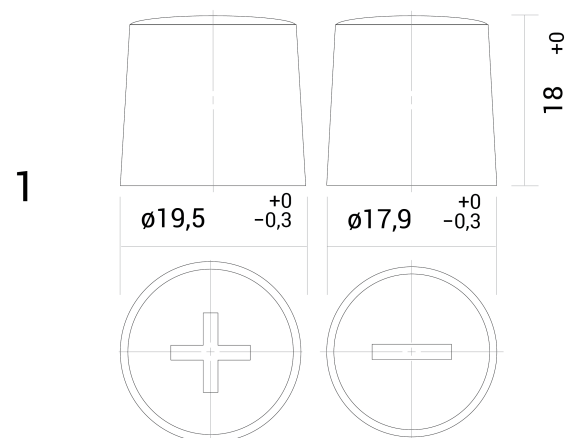
BHD



LAYOUT



TERMINAL



TECHNICAL DATASHEET

VESNA HR – HOT REGION MF55D23L