

TECHNICAL DATASHEET

TAB HR - HOT REGION MF42B19L(S)

ORDER INFORMATION

TAB ID

690635

Short Code

MF42B19L(S)

DIN Marking

EAN Code

3838807041080

Quantity per EU/CNT pallet

0/224 pcs

TECHNOLOGY

Primary Function

Engine Start

Battery Technology

Flooded

Grid Type (pos/neg)

Expanded/Concasted

Grid Alloy (pos/neg)

Ca/Ca

Separator

PE

Electrolyte (g/cm³)

1,28

TECHNICAL INFORMATION

Voltage (V)

12

Capacity C20 (Ah)

35

CCA -18°C EN (A)

270

RC (min)

53

LxWxH (mm)

196x128x202/223

Total Weight (kg)

9.4

BOX DESIGN

Box Type

B19

Cover Type

SMF

Colour

Black

Layout

0

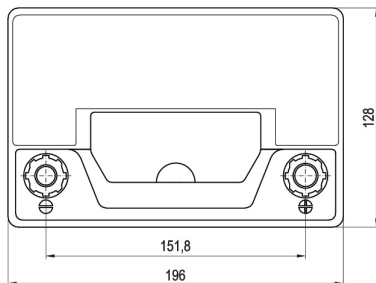
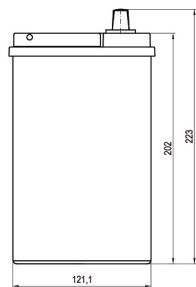
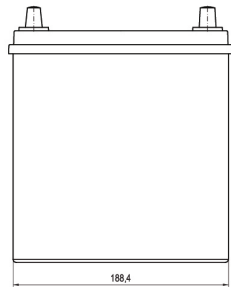
BHD

B0

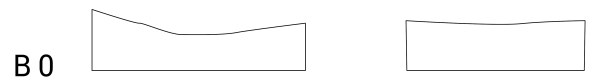
Terminal

3

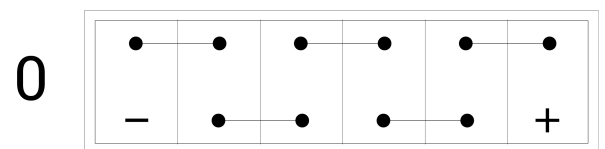
DRAWING



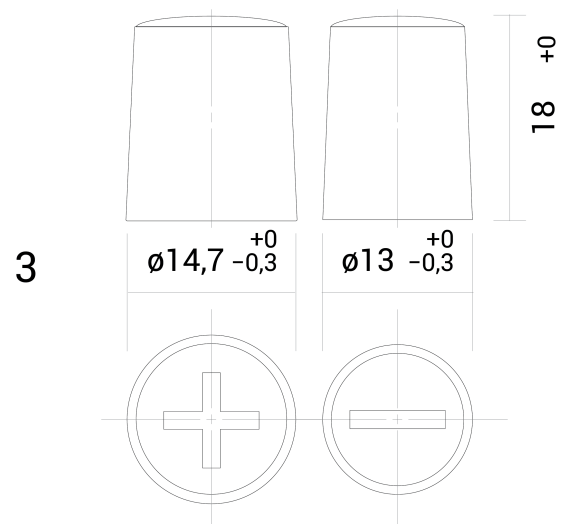
BHD



LAYOUT



TERMINAL



TECHNICAL DATASHEET

TAB HR - HOT REGION MF42B19L(S)