

TECHNICAL DATASHEET

TOPLA HR - HOT REGION 60519 EFB

ORDER INFORMATION

TAB ID

Short Code
60519 EFB

DIN Marking

EAN Code
3838807046757

Quantity per EU/CNT pallet
0/90 pcs

TECHNOLOGY

Primary Function
Start/Stop Functionality

Battery Technology
EFB - Enhanced Flooded Battery

Grid Type (pos/neg)
Expanded/Concasted

Grid Alloy (pos/neg)
Ca/Ca

Separator
PE

Electrolyte (g/cm³)
1,28

TECHNICAL INFORMATION

Voltage (V)
12

Capacity C20 (Ah)
105

CCA -18°C EN (A)
900

RC (min)
192

LxWxH (mm)
306x173x200/221

Total Weight (kg)
22.8

BOX DESIGN

Box Type
D31

Cover Type
SMF

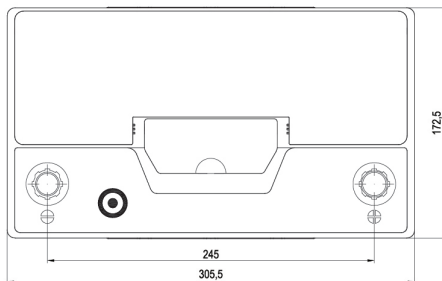
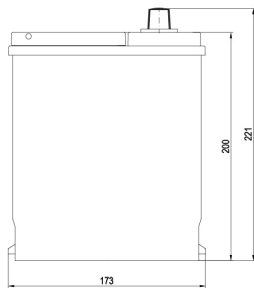
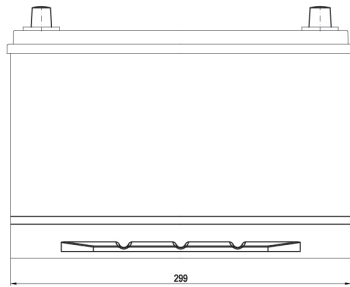
Colour
Black

Layout
1

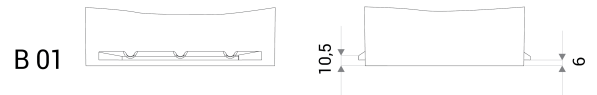
BHD
B01

Terminal
1

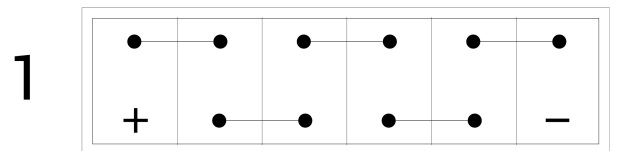
DRAWING



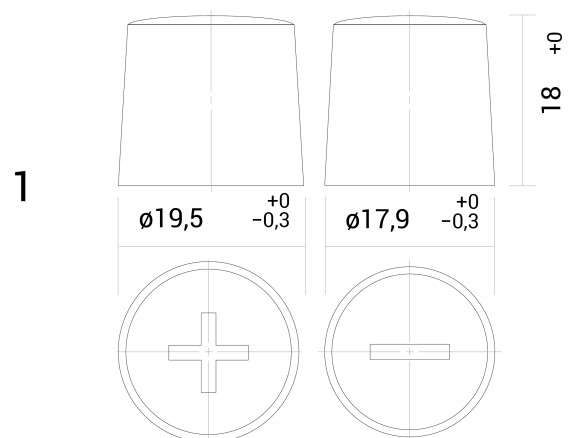
BHD



LAYOUT



TERMINAL



TECHNICAL DATASHEET

TOPLA HR - HOT REGION 60519 EFB

TAB d.d, Polena 6, SI-2392 Mežica, Slovenia, www.tab.si