

TECHNICAL DATASHEET

TOPLA HR - HOT REGION MF95D31R

ORDER INFORMATION

TAB ID

Short Code
MF95D31R

DIN Marking

EAN Code
3838807046009

Quantity per EU/CNT pallet
0/108 pcs

TECHNOLOGY

Primary Function
Engine Start

Battery Technology
Flooded

Grid Type (pos/neg)
Expanded/Concasted

Grid Alloy (pos/neg)
Ca/Ca

Separator
PE

Electrolyte (g/cm³)
1,28

TECHNICAL INFORMATION

Voltage (V)
12

Capacity C20 (Ah)
80

CCA -18°C EN (A)
640

RC (min)
140

LxWxH (mm)
306x173x200/221

Total Weight (kg)
19.5

BOX DESIGN

Box Type
D31

Cover Type
SMF

Colour
Black

Layout
1

BHD
B01

Terminal
1

DRAWING



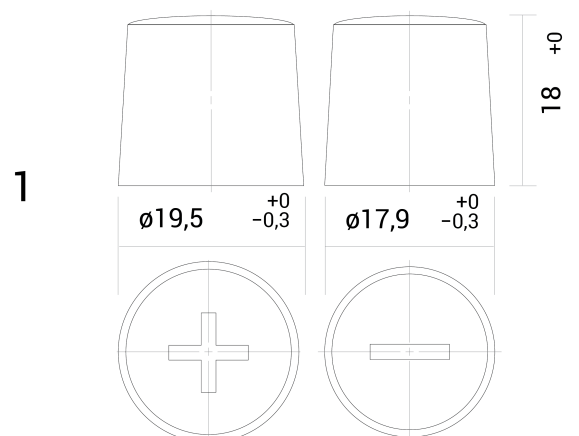
BHD



LAYOUT



TERMINAL



TECHNICAL DATASHEET

TOPLA HR - HOT REGION MF95D31R

TAB d.d, Polena 6, SI-2392 Mežica, Slovenia, www.tab.si