

# TECHNICAL DATASHEET

## TOPLA HR - HOT REGION 59088 EFB

### ORDER INFORMATION

TAB ID

Short Code  
**59088 EFB**

DIN Marking

EAN Code  
**3838807046733**

Quantity per EU/CNT pallet  
**0/75 pcs**

### TECHNOLOGY

Primary Function  
**Start/Stop Functionality**

Battery Technology  
**EFB - Enhanced Flooded Battery**

Grid Type (pos/neg)  
**Expanded/Concasted**

Grid Alloy (pos/neg)  
**Ca/Ca**

Separator  
**PE**

Electrolyte (g/cm<sup>3</sup>)  
**1,28**

### TECHNICAL INFORMATION

Voltage (V)  
**12**

Capacity C20 (Ah)  
**90**

CCA -18°C EN (A)  
**850**

RC (min)  
**161**

LxWxH (mm)  
**353x175x190**

Total Weight (kg)  
**23.7**

### BOX DESIGN

Box Type  
**L5**

Cover Type  
**SMF**

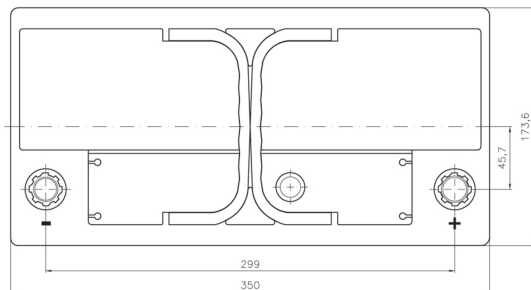
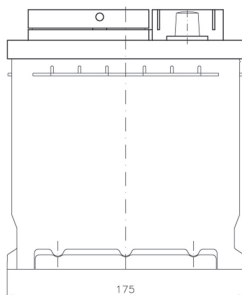
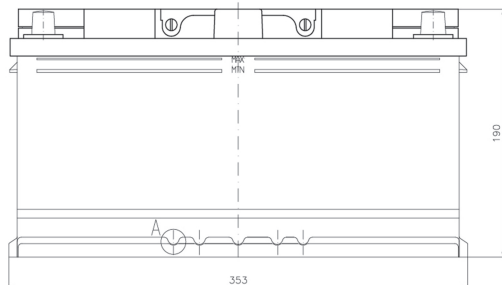
Colour  
**Black**

Layout  
**0**

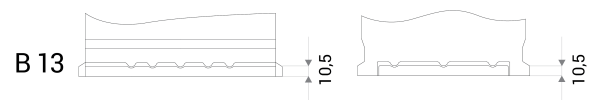
BHD  
**B13**

Terminal  
**1**

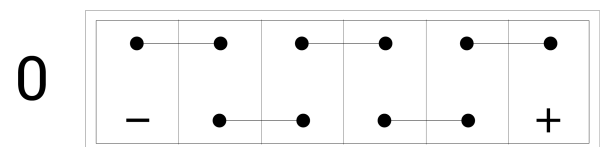
## DRAWING



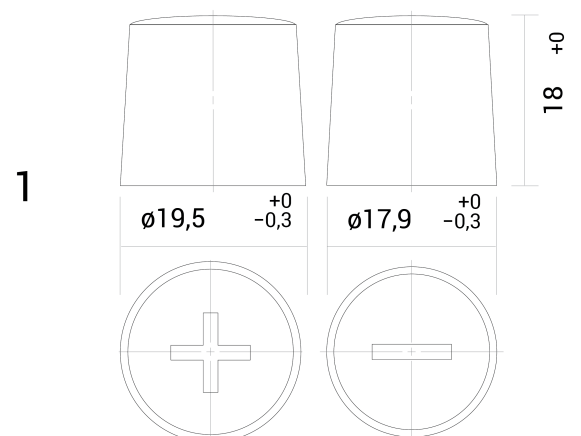
## BHD



## LAYOUT



## TERMINAL



## TECHNICAL DATASHEET

**TOPLA HR - HOT REGION**

**59088 EFB**