

TECHNICAL DATASHEET

TOPLA HR - HOT REGION MF55D23L

ORDER INFORMATION

TAB ID

Short Code
MF55D23L

DIN Marking

EAN Code
3838807046085

Quantity per EU/CNT pallet
0/144 pcs

TECHNOLOGY

Primary Function
Engine Start

Battery Technology
Flooded

Grid Type (pos/neg)
Expanded/Concasted

Grid Alloy (pos/neg)
Ca/Ca

Separator
PE

Electrolyte (g/cm³)
1,28

TECHNICAL INFORMATION

Voltage (V)
12

Capacity C20 (Ah)
60

CCA -18°C EN (A)
500

RC (min)
100

LxWxH (mm)
230x173x200/220

Total Weight (kg)
14.2

BOX DESIGN

Box Type
D23

Cover Type
SMF

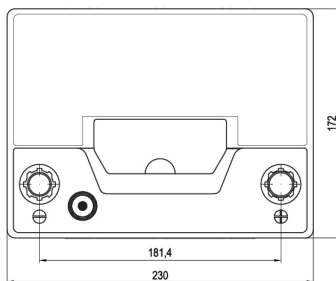
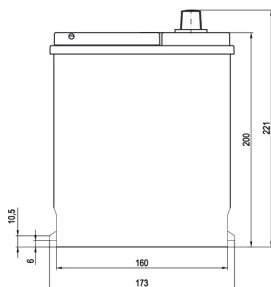
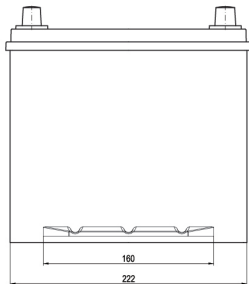
Colour
Black

Layout
0

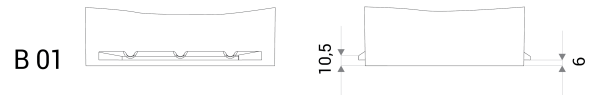
BHD
B01

Terminal
1

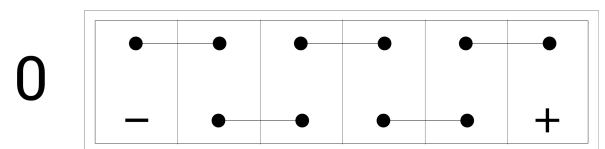
DRAWING



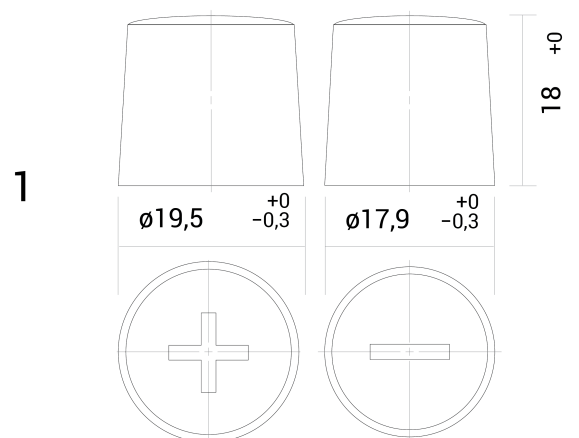
BHD



LAYOUT



TERMINAL



TECHNICAL DATASHEET

TOPLA HR - HOT REGION MF55D23L

TAB d.d, Polena 6, SI-2392 Mežica, Slovenia, www.tab.si