



TECHNICAL DATASHEET

TAB POLAR TRUCK TR13A

ORDER INFORMATION

TAB ID
1003036

Short Code
TR13A

DIN Marking
63530

EAN Code
3838807036673

Quantity per EU/CNT pallet
24/35 pcs

TECHNOLOGY

Primary Function
Engine Start

Battery Technology
Flooded

Grid Type (pos/neg)
Casted/Concasted

Grid Alloy (pos/neg)
Sb/Ca

Separator
PE

Electrolyte (g/cm³)
1,28

TECHNICAL INFORMATION

Voltage (V)
12

Capacity C20 (Ah)
135

CCA -18°C EN (A)
850

RC (min)
258

LxWxH (mm)
513×189×194/216

Total Weight (kg)
35.3

BOX DESIGN

Box Type
A

Cover Type
Flat

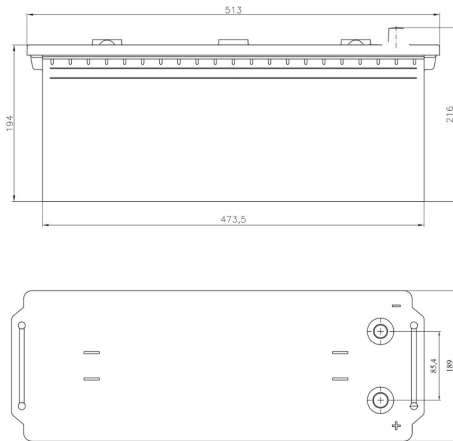
Colour
Black

Layout
3

BHD
B0

Terminal
1

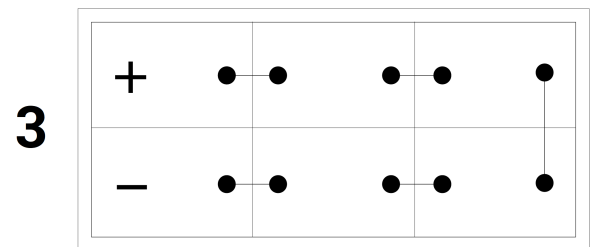
DRAWING



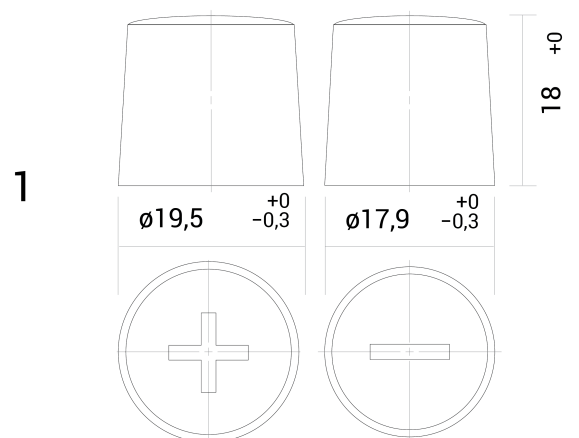
BHD



LAYOUT



TERMINAL



TECHNICAL DATASHEET

TAB POLAR TRUCK TR13A