



# TECHNICAL DATASHEET

## TAB POLAR TRUCK TR14M

### ORDER INFORMATION

TAB ID  
**1027929**

Short Code  
**TR14M**

DIN Marking  
**64323**

EAN Code  
**3838807036697**

Quantity per EU/CNT pallet  
**21/35 pcs**

### TECHNOLOGY

Primary Function  
**Engine Start**

Battery Technology  
**Flooded**

Grid Type (pos/neg)  
**Casted/Concasted**

Grid Alloy (pos/neg)  
**Sb/Ca**

Separator  
**PE**

Electrolyte (g/cm<sup>3</sup>)  
**1,28**

### TECHNICAL INFORMATION

Voltage (V)  
**12**

Capacity C20 (Ah)  
**143**

CCA -18°C EN (A)  
**900**

RC (min)  
**276**

LxWxH (mm)  
**509x216x184/210**

Total Weight (kg)  
**38.7**

### BOX DESIGN

Box Type  
**MAC143**

Cover Type  
**Flat**

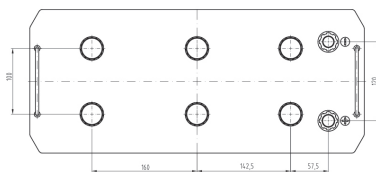
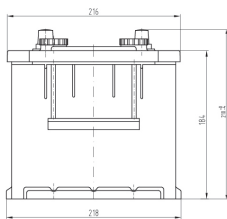
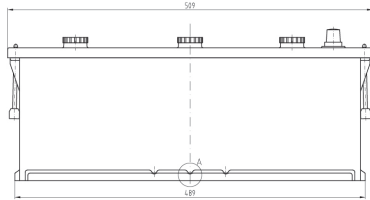
Colour  
**Black**

Layout  
**3**

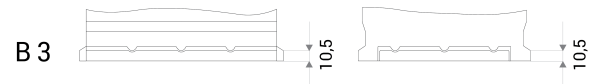
BHD  
**B3**

Terminal  
**1**

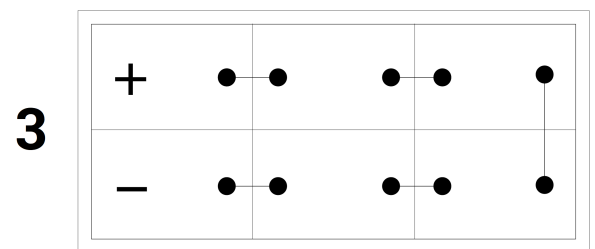
## DRAWING



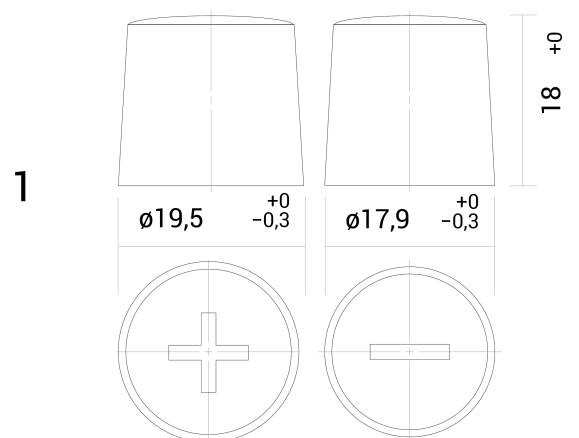
## BHD



## LAYOUT



## TERMINAL



# TECHNICAL DATASHEET

## TAB POLAR TRUCK TR14M